

Please read and save these instructions. Read through this owner's manual carefully before using product. Protect yourself and others by observing all safety information, warnings, and cautions. Failure to comply with instructions could result in personal injury and/or damage to product or property. Please retain instructions for future reference.



UNIVERSAL COOLING SYSTEM PRESSURE TEST KIT

FOR CUSTOMER SERVICE

Technical Question?

CALL 1-866-458-2472

customerservice@oem-tools.com

Unpacking

After unpacking unit, inspect carefully for any damage that may have occurred during transit. Check for loose, missing, or damaged parts. If any damage is observed, a shipping damage claim must be filed with carrier. DO NOT use the OEMTOOLS™ Universal Cooling System Pressure Test Kit if broken, bent, cracked or damaged parts (including labels) are noted. Any Universal Cooling System Pressure Test Kit that appears damaged in any way, operates abnormally or is missing parts should be removed from service immediately. If you suspect that the Universal Cooling System Pressure Test Kit was subjected to shock load (a load that was dropped suddenly, unexpectedly, etc.) immediately discontinue use until it has been checked by a factory authorized service center.



⚠ WARNING

The following safety information is provided as a guideline to help you operate your Universal Cooling System Pressure Test Kit under the safest possible conditions. Any tool or piece of equipment can be potentially dangerous to use when safety or safe handling instructions are not known or not followed. The following safety instructions are to provide the user with the information necessary for safe use and operation. Please read and retain these instructions for the continued safe use of your tool. Failure to follow instructions listed below may result in serious injury. In addition, make certain that anyone who uses the equipment understands and follows these safety instructions as well.

Explanation of Safety Signal Words

⚠ WARNING: Indicates a potentially hazardous situation which, if not avoided, could result in death or serious injury.

⚠ CAUTION: Indicates a potentially hazardous situation which, if not avoided, may result in minor or moderate injury.

CAUTION: Used without the safety alert symbol indicates a potentially hazardous situation which, if not avoided, may result in property damage.

NOTES: Provide clarity and helpful information.

Thank you very much for choosing an OEMTOOLS™ Product!

For future reference, please register your new tool at www.oem-tools.com and complete the owner's record below:

Model: _____ **Purchase Date:** _____

Save the receipt, warranty and these instructions. It is important that you read the entire manual to become familiar with this product before you begin using it. This product is designed for certain applications only. OEMTOOLS™ cannot be responsible for issues arising from modification. We strongly recommend this product is not modified and/or used for any application other than that for which it was designed. If you have any questions relative to a particular application, DO NOT use the product until you have first contacted customer service to determine if it can or should be performed on the product.

⚠ WARNING: Pursuant to California Proposition 65, this product contains chemicals known to the state of California to cause cancer and birth defects or other reproductive harm. Wash hands after handling.



UNIVERSAL COOLING SYSTEM PRESSURE TEST KIT



Important Instructions And Safety Rules

1. Know your Universal Cooling System Pressure Test Kit. Read this manual carefully. Learn the Universal Cooling System Pressure Test Kit's applications and limitations as well as, potential hazards specific to it.
2. Keep work area clean and well lit. Cluttered or dark work areas invite accidents.
3. Keep children away. All children should be kept away from the work area. Never let a child handle a Universal Cooling System Pressure Test Kit without strict adult supervision.
4. DO NOT operate this Universal Cooling System Pressure Test Kit if under the influence of alcohol or drugs. Read warning labels on prescriptions to determine if your judgment or reflexes are impaired while taking drugs. If there is any doubt, DO NOT attempt to operate.
5. Use safety equipment. Eye protection should be worn at all times when operating this Universal Cooling System Pressure Test Kit. Use ANSI approved safety glasses. Everyday eyeglasses are NOT safety glasses. Dust mask, non-skid safety shoes, hard hat or hearing protection should be used in appropriate conditions.
6. Wear proper apparel. Loose clothing, gloves, neck-ties, rings, bracelets or other jewelry may present a potential hazard when operating this Universal Cooling System Pressure Test Kit. Keep all apparel clear of the Universal Cooling System Pressure Test Kit.
7. Don't overreach. Keep proper footing and balance at all times when operating this Universal Cooling System Pressure Test Kit.
8. Check for damage. Check your Universal Cooling System Pressure Test Kit regularly. If part of the Universal Cooling System Pressure Test Kit is damaged, it should be carefully inspected to make sure that it can perform its intended function correctly. If in doubt, the part should be repaired. Refer all servicing to a qualified technician. Consult your dealer for advice.
9. Keep away from flammables. DO NOT attempt to operate this Universal Cooling System Pressure Test Kit near flammable materials or combustibles. Failure to comply may cause serious injury or death.
10. Store the Universal Cooling System Pressure Test Kit out of the reach of children and untrained persons. A Universal Cooling System Pressure Test Kit may be dangerous in the hands of untrained users.
11. Maintain Universal Cooling System Pressure Test Kit with care.
12. Keep Universal Cooling System Pressure Test Kit dry and clean.
13. DO NOT use a damaged Universal Cooling System Pressure Test Kit. Tag damaged Universal Cooling System Pressure Test Kit "DO NOT use" until repaired.
14. Use only accessories that are recommended by the manufacturer for your model. Accessories that may be suitable for one tool may become hazardous when used on another Universal Cooling System Pressure Test Kit.
15. Universal Cooling System Pressure Test Kit service must be performed only by qualified repair personnel. Service or maintenance performed by unqualified personnel could result in a risk of injury.
16. When servicing a Universal Cooling System Pressure Test Kit, use only identical replacement parts. Use of unauthorized parts or failure to follow maintenance instructions may create a risk of injury.
17. Maintain a safe working environment. Keep the work area well lit. Make sure there is adequate surrounding workspace. Keep the work area free of obstructions, grease, oil, trash, and other debris. DO NOT use this product in a damp or wet location.
18. Maintain labels and nameplates on this product. These carry important information. If unreadable or missing, contact OEMTOOLS™ for a replacement.

WARNING

Engine parts that are in motion and unexpected movement of a vehicle can injure or kill. When working near moving engine parts, wear snug fit clothing and keep hands and fingers away from moving parts. Keep hoses and tools clear of moving parts. Always stay clear of moving engine parts. Hoses and tools can be thrown through the air if not kept clear of moving engine parts. The unexpected movement of a vehicle can injure or kill. When working on vehicles always set the parking brake or chock the wheels.

- Avoid accidental fire and/or explosion. Do not smoke near engine fuel and battery components.
- For safety purposes and the prevention of damage to expensive components it is advised that the user have an understanding of basic automotive repair and a working knowledge of automotive systems.
- We believe the information contained herein to be reliable. However, general technical information is given by us without charge and the user shall employ such information at his own discretion and risk. We assume no responsibility for results or damages incurred from the use of such information in whole or in part. Always refer to specific instructions and technical information supplied by vehicle manufacturer.
- Be alert for hot engine parts to avoid accidental burns.
- If you drove your car recently, fluids could be very hot. Allow at least 2 hours before you handle any fluids. Oil and coolant burns are very dangerous.
- Never remove the cap from the radiator or expansion tank while the engine is at operating temperature.
- Always allow the engine to cool before removing the radiator cap or expansion tank cap. The cooling system is under pressure. Failure to allow the engine to cool before attempting to remove the cap could result in serious injuries.
- Does not misuse, over-pressurize, modify parts, or use worn and/or damaged parts.
- DO NOT use Universal Cooling System Pressure Test Kit for flammable or caustic fluids.



UNIVERSAL COOLING SYSTEM PRESSURE TEST KIT

NOTE: The manufacturer declines any and all responsibility for damage to vehicles or components if said damage is the result of unskillful handling by the operator or of failure to observe the basic safety rules set forth in the instruction manual.

⚠ WARNING

Read Rules for Safe Operation and Instructions Carefully.

Important Safety Instructions

The warnings, precautions, and instructions discussed in this manual cannot cover all possible conditions and situations that may occur. The operator must understand that common sense and caution are factors which cannot be built into this product, but must be supplied by the operator.

Disposal

At the end of the useful life of the OEMTOOLS™ Universal Cooling System Pressure Test Kit, dispose of the components according to all state, federal and local regulations.

Purpose

The OEMTOOLS™ Universal Cooling System Pressure Test Kit is designed to diagnose and help locate leaks in an automotive cooling system, allowing the user to manually pressurize and monitor a cooling system. The Kit includes 3 Universal Cooling System Adapters designed to fit most passenger vehicles and light-duty trucks on the road today, eliminating the need for numerous adapters as previously required to pressure test cooling systems. Leaks are indicated by a drop in pressure over a few seconds or minutes. The location of an external leak is pinpointed by the visible signs of coolant. Internal leaks, which may not be visible, typically indicate a blown head gasket or damaged block or head and can be diagnosed with a Block Tester (purchased separately) that detects Combustion Gases in the cooling system.

Cooling System Pressure Test Pump Instructions:

NOTE: Refer to the vehicle's service manual for specific cooling system pressure testing instructions before use.

⚠ WARNING

Never remove cooling system cap from a hot engine. Hot coolant under pressure can cause severe injury. Test system pressure by squeezing the cooling system hoses. They should be easy to squeeze. If not, wait until the vehicle has cooled down and the system pressure has equalized.

1. Loosen the vehicle's radiator cap slowly to relieve any excess pressure before removing the cap completely.
2. Check to see that the radiator or coolant bottle is filled to the proper level, and check hoses for visual damage or leaks. Fill and repair as necessary prior to testing.
3. Select the correct Universal Cooling System Adapter, if required.
4. Securely attach the Cooling System Adapter or Pump to the filler neck of the radiator or expansion tank.

NOTE: To attach the pump to the adapter or cooling system, insert into adapter or cooling system opening. While pressing down turn the tester head LEVER clockwise until the LEVER climbs up (Figure A) and over the ramps. Once fully engaged and sealed the LEVER will be between the ramps and loose. (Figure B)

FIGURE A



FIGURE B



5. Operate the Pressure Pump until the needle on the pressure gauge moves to the end of the colored band indicating the appropriate pressure specified by the vehicle manufacturer.

⚠ WARNING

Pressurize the cooling system up to the vehicle manufacturer's specifications only.

DO NOT OVER PRESSURIZE THE COOLING SYSTEM.

⚠ WARNING

With the system still pressurized, perform a visual inspection of the entire cooling system. Check hoses and connections for seepage, which would indicate a leak. Return to the gauge and check the reading once more.

- Needle holds steady – If gauge hand holds at the same pressure for 2 minutes, there are no serious leaks in the system. Smaller leaks may take longer.
 - Needle drops slowly – Indicates the presence of the small leaks or seepage.
 - Needle drops quickly – Indicates serious leakage is present.
6. Once testing is complete, release pressure in the cooling system by turning the tester head LEVER clockwise until it is centered on the ramps. Pressure will release.
 7. Once you verify by looking at the gauge that all the pressure is released, turn tester HEAD counterclockwise to remove from the adapter or cooling system.
 8. Remove adapter if used, refill cooling system to the proper level and reinstall the cap.

Universal Cooling System Adapter Instructions

1. Loosen the vehicle's radiator cap slowly to relieve any excess pressure before removing the cap completely.

NOTE: Never remove the cooling system cap from a hot engine. Hot coolant under pressure can cause severe injury. Test the system pressure by squeezing the cooling system hoses. They should be easy to squeeze. If not, wait until the vehicle has cooled down and the system pressure has equalized.

2. Clean the sealing surface of the Cooling System with a shop rag.
3. Select the Adapter that best fits inside the Coolant Reservoir or Radiator.



UNIVERSAL COOLING SYSTEM PRESSURE TEST KIT

NOTE: For radiators it is important that the adapter fits below the sealing surface.

4. Attach adapter to the Expander and insert the assembly into the Radiator or Coolant Reservoir being sure it is fully inserted and square to the sealing surface.
5. Expand the Adapter by turning the Expander clockwise. Tighten firmly. Test to be sure Adapter is fully engaged by pulling on it.
6. Connect Cooling System Pressure Tester and perform pressure test being sure to follow vehicle manufacturer's instructions.

NOTE: On some cooling system reservoirs, it may be necessary to pinch off the overflow vent to perform the pressure test.

7. Once test is complete, relieve pressure by following instructions provided above. Loosen the expander by turning it counterclockwise and remove the assembly.

NOTE: Never run the engine with the adapter installed. Excessive pressure can cause the adapter to launch from the vehicle and cause injury.

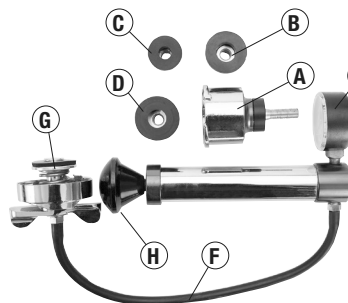
Maintenance after testing process in Radiator Test:

1. Operate the pump several times to dissipate moisture and/or coolant that may have remained in the pump.
2. Oil the hand pump with a light machine oil or air tool oil in order to lubricate the piston and prevent corrosion and internal damage.
3. Store the Universal Cooling System Pressure Tester Kit in its case and keep the kit in a clean, dry, safe location out of reach of children and other unauthorized persons.

Parts List

Item	Description	Quantity
A	Expander	1
B	1-1/16" Adapter	1
C	11/16" Adapter	1
D	1-3/8" Adapter	1
E	Gauge	1
F	Hose	1
G	Tester Head	1
H	Knob	1

Parts Diagram



The manufacturer and/or its distributor have provided the parts list and assembly diagram in this manual as a reference tool only. Neither the manufacturer nor its distributor makes any representation or warranty of any kind to the buyer that he or she is qualified to make any repairs to the product, or that he or she is qualified to replace any parts of the product. In fact, the manufacturer and/or its distributor expressly states that all repairs and parts replacements should be undertaken by certified and licensed technicians, and not by the buyer. The buyer assumes all risk and liability arising out of his or her repairs to the original product or replacement parts thereto, or arising out of his or her installation of replacement parts thereto.

Note: Not all components of the Universal Cooling System Pressure Test Kit are replacement items, but are illustrated as a convenient reference for location and position in the assembly sequence.

OEMTOOLS™ LIMITED LIFETIME WARRANTY

Please read the following carefully.

If for as long as you own this OEMTOOLS™ product you find any defect in material or workmanship, through normal usage, return it to the place of purchase, or to OEMTOOLS™ for repair or replacement at our discretion. In order to obtain this service, send your tool and proof of purchase, transportation pre-paid, to OEMTOOLS™ Q.A. Dept., 3850 Raines Road #3, Memphis, TN 38118. We will not be responsible for lost or damaged goods during transportation; please insure your package. If our inspection verifies the defect, we will either repair or replace the product at our election, or we may elect to refund the purchase price if we cannot readily and quickly provide you with a replacement. We will return repaired products at our expense, but if we determine there is no defect, or that the defect resulted from causes not within the scope of our warranty, then you must bear the cost of returning the product.

OEMTOOLS™ does not provide warranty for products labeled other than OEM® or OEMTOOLS™. OEMTOOLS™ will not provide any warranty for products subjected to abnormal use. Abnormal use includes, but is not limited to, abuse, accident, alteration, neglect, and unauthorized or unreasonable use or repairs. This warranty does not cover bits, blades, files, batteries, or calibration. We recommend that you maintain your tools and sharpen or replace blades, bits, files, and batteries as necessary. OEMTOOLS™ reserves the right to make any changes in construction or design at any time without any obligation in incorporating such changes to tools or equipment previously sold.

OEMTOOLS™ makes every effort to ensure that its products meet high quality and durability standards, and warrants to the original purchaser that this product is free from defects in materials and workmanship for the duration of this warranty from the date of purchase. This warranty does not apply to damage due directly or indirectly to misuse, abuse, negligence or accidents, repairs or alterations outside our facilities, criminal activity, improper installation, normal wear and tear or to lack of maintenance.

We shall in no event be liable for death, injuries to persons or property, or for incidental, contingent, special or consequential damages arising from the use of our product. Some states do not allow the exclusion or limitation of incidental or consequential damages, so the above limitation of exclusion may not apply to you. THIS WARRANTY IS EXPRESSLY IN LIEU OF ALL OTHER WARRANTIES, EXPRESS OR IMPLIED, INCLUDING THE WARRANTIES OF MERCHANTABILITY AND FITNESS. This warranty gives you specific legal rights, and you may also have other rights, which vary from state to state.

Don't forget to register your new OEMTOOLS™ product at www.oem-tools.com.

CONTACT US

3580 E. Raines Road, Suite 3, Memphis, TN 38118
 Tel: 1-866-458-2472
www.oem-tools.com

