

Please read and save these instructions. Read through this owner's manual carefully before using product. Protect yourself and others by observing all safety information, warnings, and cautions. Failure to comply with instructions could result in personal injury and/or damage to product or property. Please retain instructions for future reference.



24"/30" OUTDOOR OSCILLATING WALL MOUNT FAN

FOR CUSTOMER SERVICE

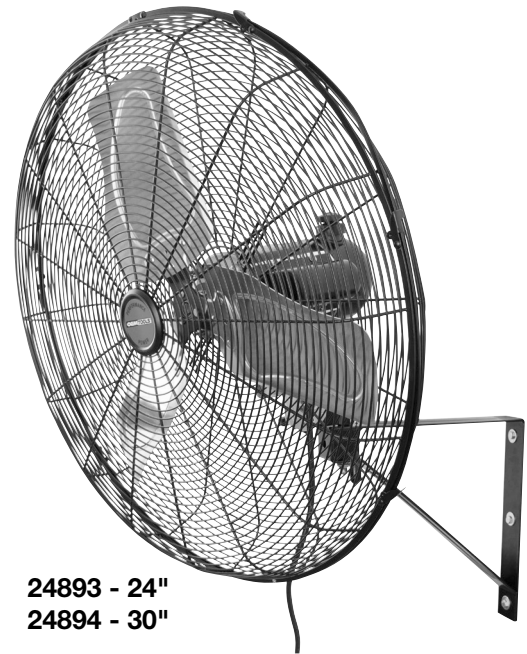
Technical Question?

CALL 1-866-458-2472

customerservice@oem-tools.com

UNPACKING

After unpacking the unit, inspect carefully for any damage that may have occurred during transit. Check for loose, missing, or damaged parts. If any damage is observed, a shipping damage claim must be filed with the carrier. DO NOT use the OEMTOOLS™ 24"/30" Outdoor Oscillating Wall Mount Fan if broken, bent, cracked or damaged parts (including labels) are noted. Any Outdoor Wall Mount Fan that appears damaged in any way, operates abnormally or is missing parts should be removed from service immediately. If you suspect that the Outdoor Wall Mount Fan was subjected to shock load (a load that was dropped suddenly, unexpectedly, etc.), immediately discontinue use until it has been checked by a factory authorized service center.



▲ WARNING

The following safety information is provided as a guideline to help you operate your Outdoor Wall Mount Fan under the safest possible conditions. Any tool or piece of equipment can be potentially dangerous to use when safety or safe handling instructions are not known or not followed. The following safety instructions are to provide the user with the information necessary for safe use and operation. Please read and retain these instructions for the continued safe use of your Outdoor Wall Mount Fan. Failure to follow instructions listed below may result in serious injury. In addition, make sure that anyone who uses the equipment understands and follows these safety instructions as well.

Explanation of Safety Signal Words

▲ WARNING: Indicates a potentially hazardous situation which, if not avoided, could result in death or serious injury.

▲ CAUTION: Indicates a potentially hazardous situation which, if not avoided, may result in minor or moderate injury.

CAUTION: Used without the safety alert symbol indicates a potentially hazardous situation which, if not avoided, may result in property damage.

NOTES: Provide clarity and helpful information.

Thank you very much for choosing an OEMTOOLS™ Product!

For future reference, please register your new tool at www.oem-tools.com and complete the owner's record below:

Model: _____ **Purchase Date:** _____

Save the receipt, warranty and these instructions. It is important that you read the entire manual to become familiar with this product before you begin using it. This product is designed for certain applications only. OEMTOOLS™ cannot be responsible for issues arising from modification. We strongly recommend this product is not modified and/or used for any application other than that for which it was designed. If you have any questions relative to a particular application, DO NOT use the product until you have first contacted customer service to determine if it can or should be performed on the product.



24"/30" OUTDOOR OSCILLATING WALL MOUNT FAN



IMPORTANT INSTRUCTIONS AND SAFETY RULES

1. Know your product. Read this manual carefully. Learn the product's applications and limitations as well as potential hazards specific to it.
2. Keep work area clean and well lit. Cluttered or dark work areas invite accidents.
3. Keep children away. All children should be kept away from the work area. Never let a child handle tools or equipment without strict adult supervision.
4. DO NOT operate this product if under the influence of alcohol or drugs. Read warning labels on prescriptions to determine if your judgment or reflexes are impaired while taking drugs. If there is any doubt, DO NOT attempt to operate.
5. Use safety equipment. Eye protection should be worn at all times when operating this tool. Use ANSI approved safety glasses. Everyday eyeglasses are NOT safety glasses. Dust mask, non-skid safety shoes, hard hat or hearing protection should be used in appropriate conditions.
6. Wear proper apparel. Loose clothing, gloves, neck-ties, rings, bracelets or other jewelry may present a potential hazard when operating this product. Keep all apparel clear of the product.
7. DO NOT overreach. Keep proper footing and balance at all times when operating this product.
8. Check for damage. Check equipment regularly. If part of the product is damaged, it should be carefully inspected to make sure that it can perform its intended function correctly. If in doubt, discontinue use of product.
9. Keep away from flammables. DO NOT attempt to operate this product near flammable materials or combustibles. Failure to comply may cause serious injury or death.
10. Store this product out of the reach of children and untrained persons. This product may be dangerous in the hands of untrained users.
11. Keep this product dry and clean.
12. Use only accessories that are recommended by the manufacturer for your model. Accessories that may be suitable for one product may become hazardous when used on another product.
13. Service must be performed only by qualified repair personnel. Service or maintenance performed by unqualified personnel could result in a risk of injury.
14. When servicing a product, use only identical replacement parts. Use of unauthorized parts or failure to follow maintenance instructions may create a risk of injury.
15. Maintain a safe working environment. Keep the work area well lit. Make sure there is adequate surrounding workspace. Keep the work area free of obstructions, grease, oil, trash, and other debris. DO NOT use this product in a damp or wet location.
16. Maintain labels and nameplates on this product. These carry important information. If unreadable or missing, contact OEMTOOLS™ for a replacement.
17. Keep this product dry, clean, and free from brake fluid, oil, and grease.
18. Avoid accidental fire. DO NOT smoke near this product.
19. The warnings, precautions, and instructions discussed in this manual cannot cover all possible conditions and situations that may occur. The operator must understand that common sense and caution are factors which cannot be built into this product, but must be supplied by the operator.
20. We believe the information contained herein to be reliable. However, general technical information is given by us without charge and the user shall employ such information at their own discretion and risk. We assume no responsibility for results or damages incurred from the use of such information in whole or in part.
21. The manufacturer declines any and all responsibility for property damage or injury if said damage is the result of unskillful handling by the operator or of failure to observe the basic safety rules set forth in the instruction manual.



24"/30" OUTDOOR OSCILLATING WALL MOUNT FAN

22. The procedures documented in this manual are to serve as guidelines for the use of this equipment.
23. The use of this equipment is simple and straightforward if you follow the instructions. When operating this equipment, use common sense, and only use this equipment for its intended purpose.

PRODUCT DESCRIPTION

The OEMTOOLS™ 24"/30" Outdoor Oscillating Wall Mount Fan features a water-resistant motor for circulating air in workshops, garages and other structures, where the fan may be subjected to splashing water or very light rain.

PRODUCT SPECIFICATIONS	24"	30"
Weight	31.3 Lbs.	32.9 Lbs.
Speeds	3	
Output Power	1/7 HP	
Voltage	120V / 60Hz	
Current	2.0A	
CFM	6800	7200
RPM	1080	
Sound Pressure Level (dB)	74	76
Ingress Protection (IP) Rating	IP44	
UL Listed	E302275	

CONTENTS

(1) 24" Outdoor Oscillating Fan, (1) Wall Mount Assembly, Mounting Hardware, (1) Instruction Manual

SPECIFIC SAFETY INSTRUCTIONS AND WARNINGS

▲ WARNING: Thoroughly read and understand the provided product manual before attempting to use this product.

▲ WARNING: DO NOT attempt to disassemble, repair or modify this fan.

▲ WARNING: DO NOT insert your hand or other objects into the fan guard or near moving parts.

▲ WARNING: DO NOT submerge this fan in liquids.

▲ WARNING: DO NOT touch this fan with wet hands.

▲ WARNING: DO NOT use this fan if the cord or plug has been damaged.

▲ WARNING: Ensure the wall mount is fastened to a concrete wall or stud capable of supporting the

weight of the fan.

▲ WARNING: Fit the front and rear guards to the fan prior to attempting to start the fan.

1. DO NOT unplug this fan by holding the cord. Unplug this fan by holding the plug.
2. DO NOT plug this fan into an extension cord.
3. DO NOT operate near an open flame or heat source.
4. DO NOT use this fan in conjunction with a solid-state speed control device.
5. DO NOT leave this fan plugged in while unattended. Always unplug the fan when not in use.
6. DO NOT move or attempt to perform maintenance while this fan is plugged in.

ASSEMBLY INSTRUCTIONS

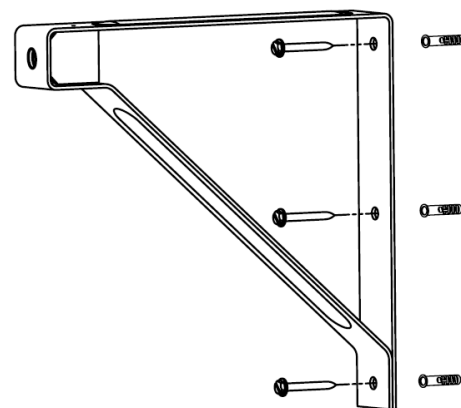
NOTE: Remove all contents from the box and reference the parts list to ensure that all parts are present.

1. Wall installation.

▲ WARNING: DO NOT mount on dry wall.

CONCRETE WALL INSTALLATION

- a) Mark the desired hole location using the Wall Mounting Bracket, then drill the holes.
- b) After drilling, insert the wall anchors and tap them until flush with wall face.
- c) Position the Wall Mounting Bracket and screw the 3 bolts into the anchors. Tighten the bolts securely.

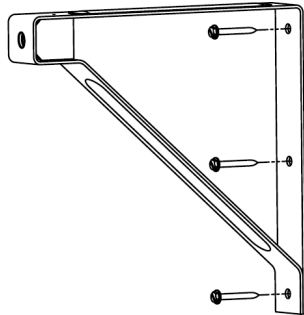




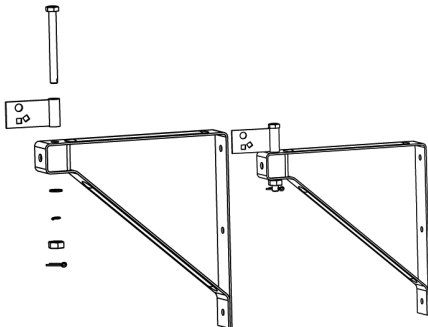
24"/30" OUTDOOR OSCILLATING WALL MOUNT FAN

WALL STUD INSTALLATION

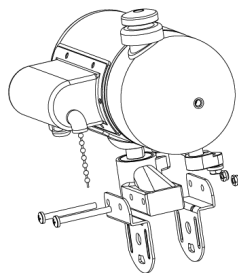
- a) Mark the desired hole location using the Wall Mounting Bracket, then drill small diameter pilot holes.
- b) Position the Wall Mounting Bracket over the pilot holes and screw the 3 bolts into the stud. Tighten the bolts securely.



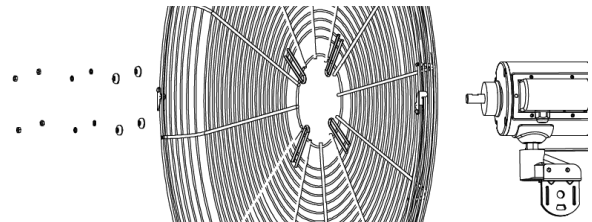
2. Connect the Swivel Adapter to the Mounting Bracket using the M12x120 bolt, flat washer, locking washer, nut and rivet assembly (applied in that order).



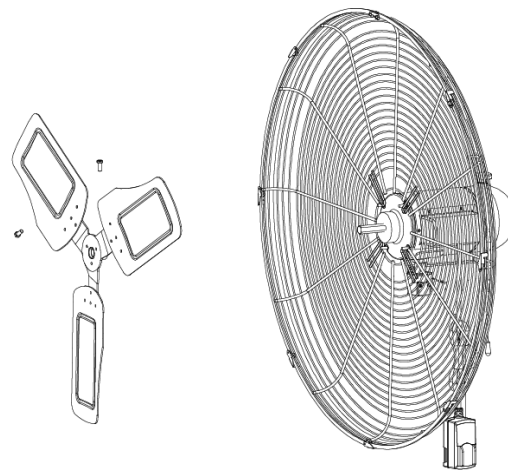
3. Place a Fixed Adapter on both sides of the motor base extension. The Adapters should taper at the center leaving a small gap. Fasten securely using the provided hardware.



4. Remove all four sets of hexagonal nuts, spring washers and bowl washers from the Motor.
5. Position the Rear Guard over the Motor and secure using the hexagonal nuts, spring washers and bowl washers removed in Step 4.



6. Fasten the Fan Blade to the Motor Shaft by tightening the two fan blade screws. Ensure the screws are securely tightened.

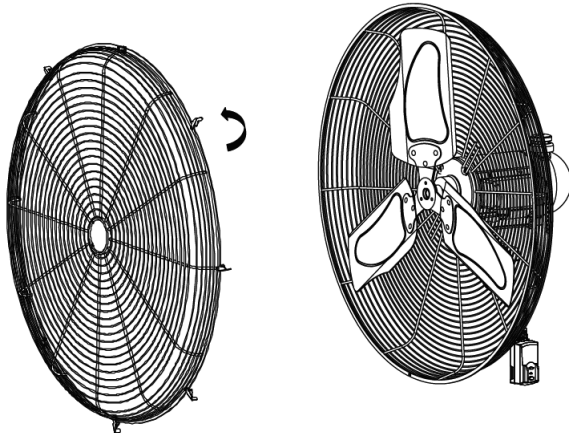


▲ WARNING: Fully assemble the front guard to the fan prior to attempting to start the fan. If the fan blade is loose, the blade may become displaced from the motor shaft causing product malfunction, property damage and personal injury.

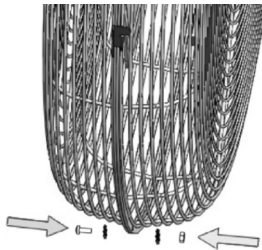


24"/30" OUTDOOR OSCILLATING WALL MOUNT FAN

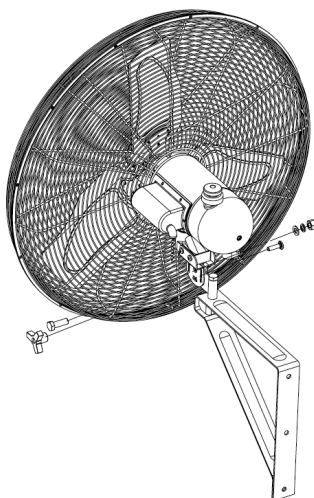
- Place the Front Guard over the Rear Guard. Fasten together using the clips along the rim of the Front Guard.



- Secure the Guard Assembly by fastening the retaining bolt, lock washers and nut.



- Attach the completed Fan Assembly (Step 8) to the Bracket and Swivel Adapter Assembly (Step 2) using the provided bolt and nut assembly. Fasten the Handwheel with Bolt into the lower square hole.



- Attach the Motor to a heavy fixed object (capable of supporting the weight of the fan) using the safety cable and provided U-bolts. If the fan dislodges from the mounting bracket for any reason, the safety cable will prevent the fan from falling.

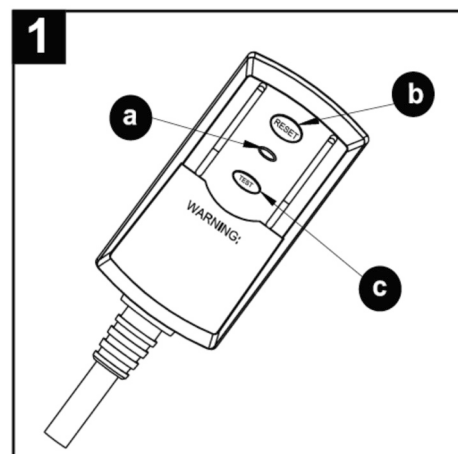
NOTE: Ensure the cable does not inhibit the oscillating range of motion. This can lead to product malfunction.

ADJUSTING FAN ANGLE

- While supporting the weight of the fan, loosen the Handwheel and remove the bolt. If the weight of the fan is not supported, the fan will not fall to the ground; however, pivot uncontrollably toward the operator.
- Allow the fan to pivot forward to the second angled adjustment, and replace the bolt and fasten securely using the Handwheel.

OPERATION INSTRUCTIONS

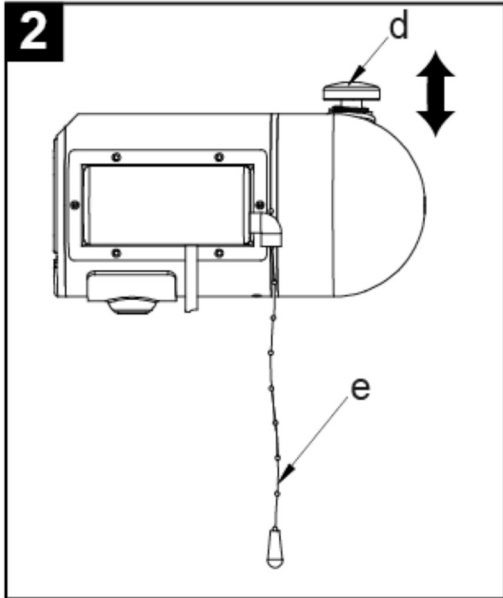
- Mount in accordance with provided assembly instructions.
- Plug the fan into a grounded 120V / 60 Hz outlet.
- Test GFCI (Ground Fault Circuit Interrupter) before each use.
 - Press the RESET button (b). Indicator (a) should turn red.
 - Press the TEST button (c). Indicator (a) should turn off.
 - Press the RESET button (b) again before attempting to use.
 - DO NOT ATTEMPT TO USE IF GFCI TEST FAILS. Call customer service for assistance.





24"/30" OUTDOOR OSCILLATING WALL MOUNT FAN

4. Adjust to the desired speed by pulling the chain (e):
 - 0 – OFF
 - 1 – Low
 - 2 – Medium
 - 3 – High



NOTE: To extend the life of the fan motor, allow the fan to run for at least one minute at each setting before moving to the next setting.

5. Press the oscillation knob (d) for oscillating function. Pull the oscillation knob (d) to lock the fan to the desired position.
6. Turn the fan to OFF before unplugging from the electrical outlet.

STORAGE

Store the Outdoor Oscillating Fan in an upright position and in a clean, dry area. DO NOT store near flammable items or open flames.

PRODUCT MAINTENANCE

▲ WARNING: Unplug the fan before performing product maintenance.

▲ WARNING: DO NOT use water to clean the fan motor. While the product is water resistant, excessive water may lead to product malfunction.

Use a vacuum cleaner to remove dust from the protective fan guard and blades. If desired, remove the front protective fan guard to access the fan blades. Ensure the protective guard is securely reattached prior to use.

A damp cloth may be used to wipe the Front Guard.

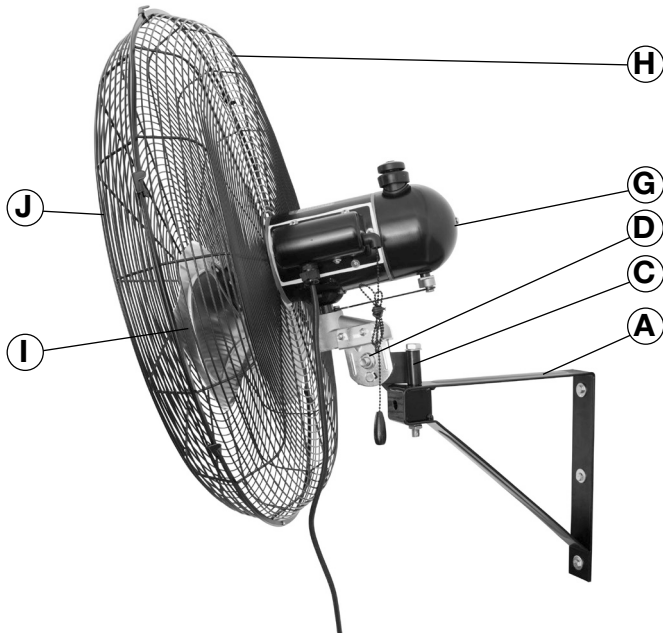
DISPOSAL

At the end of the useful life of the OEMTOOLS™ 24"/30" Outdoor Oscillating Wall Mount Fan, dispose of the components in accordance with all federal, state and local regulations.



24"/30" OUTDOOR OSCILLATING WALL MOUNT FAN

PRODUCT LAYOUT



PARTS DESCRIPTION

Item	Description	Quantity
A	Wall Mounting Bracket	1
B	Wall Mounting Hardware*	1
C	Swivel Adapter	1
D	Fixed Adapter	2
E	Fixed Adapter Hardware*	1
F	Swivel Adapter Hardware*	1
G	Motor	1
H	Rear Guard	1
I	Fan Blade	1
J	Front Guard	1
K	Guard Retaining Bolt*	1
L	Safety Cable*	1

* Not Pictured



24"/30" OUTDOOR OSCILLATING WALL MOUNT FAN

OEMTOOLS™ 90 DAY LIMITED WARRANTY

For 90 days from the original purchase of this product, OEMTOOLS™ will warranty this item. If you find any defect in material or workmanship, through normal usage, return it to the place of purchase or to OEMTOOLS™ for repair or replacement at our discretion. In order to obtain this service, send your tool and proof of purchase, transportation pre-paid, to OEMTOOLS™ Q.A. Dept., 3850 Raines Road #3, Memphis, TN 38118. We will not be responsible for lost or damaged goods during transportation; please insure your package. If our inspection verifies the defect, we will either repair or replace the product at our election, or we may elect to refund the purchase price if we cannot readily and quickly provide you with a replacement. We will return repaired products at our expense, but if we determine there is no defect, or that the defect resulted from causes not within the scope of our warranty, then you must bear the cost of returning the product.

OEMTOOLS™ does not provide warranty for products labeled other than OEM® or OEMTOOLS™. OEMTOOLS™ will not provide any warranty for products subjected to abnormal use. Abnormal use includes, but is not limited to, abuse, accident, alteration, neglect, and unauthorized or unreasonable use or repairs. This warranty does not cover bits, blades, files, batteries, or calibration. We recommend that you maintain your tools and sharpen or replace blades, bits, files, and batteries as necessary. OEMTOOLS™ reserves the right to make any changes in construction or design at any time without any obligation in incorporating such changes to tools or equipment previously sold.

OEMTOOLS™ makes every effort to ensure that its products meet high quality and durability standards, and warrants to the original purchaser that this product is free from defects in materials and workmanship for the period of 90 days from the date of purchase. This warranty does not apply to damage due directly or indirectly to misuse, abuse, negligence or accidents, repairs or alterations outside our facilities, criminal activity, improper installation, normal wear and tear or to lack of maintenance.

We shall in no event be liable for death, injuries to persons or property, or for incidental, contingent, special or consequential damages arising from the use of our product. Some states do not allow the exclusion or limitation of incidental or consequential damages, so the above limitation of exclusion may not apply to you. THIS WARRANTY IS EXPRESSLY IN LIEU OF ALL OTHER WARRANTIES, EXPRESS OR IMPLIED, INCLUDING THE WARRANTIES OF MERCHANTABILITY AND FITNESS. This warranty gives you specific legal rights, and you may also have other rights, which vary from state to state.

Don't forget to register your new OEMTOOLS™ product at www.oem-tools.com.

CONTACT US

3580 E. Raines Road, Suite 3, Memphis, TN 38118
Tel: 1-866-458-2472
www.oem-tools.com