

Please read and save these instructions. Read through this owner's manual carefully before using product. Protect yourself and others by observing all safety information, warnings, and cautions. Failure to comply with instructions could result in personal injury and/or damage to product or property. Please retain instructions for future reference.



2,000 LB. FOLDING ENGINE STAND

FOR CUSTOMER SERVICE

Technical Question?

CALL 1-866-458-2472
customerservice@oem-tools.com

UNPACKING

After unpacking unit, inspect carefully for any damage that may have occurred during transit. Check for loose, missing, or damaged parts. If any damage is observed, a shipping damage claim must be filed with carrier. Do not use OEMTOOLS® 24834 2,000 Lb. Folding Engine Stand if broken, bent, cracked or damaged parts (including labels) are noted. Any Engine Stand that appears damaged in any way, operates abnormally or is missing parts should be removed from service immediately. If you suspect that the Engine Stand was subjected to a shock load (a load that was dropped suddenly, unexpectedly, etc.) immediately discontinue use until it has been checked by a factory authorized service center.



⚠WARNING

The following safety information is provided as a guideline to help you operate your Folding Engine Stand under the safest possible conditions. Any tool or piece of equipment can be potentially dangerous to use when safety or safe handling instructions are not known or not followed. The following safety instructions are to provide the user with the information necessary for safe use and operation. Please read and retain these instructions for the continued safe use of your Folding Engine Stand. Failure to follow instructions listed below may result in serious injury. In addition, make sure that anyone who uses the equipment understands and follows these safety instructions as well.

Explanation of Safety Signal Words

⚠WARNING: Indicates a potentially hazardous situation which, if not avoided, could result in death or serious injury.

⚠CAUTION: Indicates a potentially hazardous situation which, if not avoided, may result in minor or moderate injury.

CAUTION: Used without the safety alert symbol indicates a potentially hazardous situation which, if not avoided, may result in property damage.

NOTES: Provide clarity and helpful information.

Thank you very much for choosing an OEMTOOLS® Product!

For future reference, please register your new tool at www.oem-tools.com and complete the owner's record below:

Model: _____ **Purchase Date:** _____

Save the receipt, warranty and these instructions. It is important that you read the entire manual to become familiar with this product before you begin using it. This product is designed for certain applications only. OEMTOOLS® cannot be responsible for issues arising from modification. We strongly recommend that this product is not modified and/or used for any application other than that for which it was designed. If you have any questions relative to a particular application, DO NOT use the product until you have first contacted customer service to determine if it can or should be performed on the product.

⚠WARNING: This product can expose you to chemicals which are known to the State of California to cause cancer and birth defects or other reproductive harm. For more information go to www.P65Warnings.ca.gov.



2,000 LB. FOLDING ENGINE STAND

! IMPORTANT INSTRUCTIONS AND SAFETY RULES

1. Know your product. Read this manual carefully. Learn the product's applications and limitations, as well as potential hazards specific to it. The use of this product is simple and straightforward if you follow the instructions. When operating this product, use common sense and only use this product for its intended purpose.
2. Maintain labels and nameplates on this product. These carry important information. If unreadable or missing, contact OEMTOOLS® for a replacement.
3. Maintain this product with care. Keep it dry and clean – and free from brake fluid, oil, and grease (if applicable).
4. Check for damage. Check your product regularly. If part of the product is damaged, it should be carefully inspected to make sure that it can perform its intended function correctly. If in doubt, the part should be repaired. Refer all servicing to a qualified technician. Consult your dealer for advice.
5. Check for misalignment or binding of moving parts, breakage of parts, and any other condition that may affect the product's operation.
6. DO NOT use a damaged product. Tag damaged products "DO NOT USE" until repaired. If damaged, have the product serviced before using. Many accidents are caused by poorly maintained products.
7. Service must be performed only by qualified repair personnel. Service or maintenance performed by unqualified personnel could create a risk of injury.
8. When servicing a product, use only identical replacement parts. Use of unauthorized parts or failure to follow maintenance instructions could create a risk of injury.
9. Use only accessories that are recommended by the manufacturer for your model. Accessories that may be suitable for one product may become hazardous when used on another product.
10. Keep work area clean and well lit. Cluttered or dark work areas invite accidents.
11. Maintain a safe working environment. Keep the work area well lit. Make sure there is adequate surrounding workspace. Keep the work area free of obstructions, grease, oil, trash, and other debris. DO NOT use this product in a damp or wet location.
12. Keep children away from the work area. Never let a child handle this product without strict adult supervision.
13. Store this product out of the reach of children and untrained persons. This product may be dangerous in the hands of untrained users.
14. DO NOT operate this product if under the influence of alcohol or drugs. Read warning labels on prescriptions to determine if your judgment or reflexes are impaired while taking drugs. If there is any doubt, DO NOT attempt to operate.
15. Use safety equipment. Eye protection should be worn at all times when operating this product. Use ANSI approved safety glasses. Everyday eyeglasses are NOT safety glasses. Dust mask, non-skid safety shoes, hard hat or hearing protection should be used in appropriate conditions.
16. Wear proper apparel. Loose clothing, gloves, neck-ties, rings, bracelets or other jewelry may present a potential hazard when operating this product. Keep all apparel clear of the product.
17. DO NOT overreach. Keep proper footing and balance at all times when operating this product.
18. Keep away from flammables. DO NOT attempt to operate this product near flammable materials or combustibles. Failure to comply may cause serious injury or death.
19. Avoid accidental fire and/or explosion. DO NOT smoke near engine fuel and battery components.
20. We believe the information contained herein to be reliable. However, general technical information is given by us without charge and the user shall employ such information at their own discretion and risk. We assume no responsibility for results or damages incurred from the use of such information in whole or in part. Always refer to specific instructions and technical information supplied by vehicle manufacturer.
21. The manufacturer declines any and all responsibility for property damage or injury if said damage is the result of unskillful handling by the operator or of failure to observe the basic safety rules set forth in the instruction manual.
22. The warnings, precautions, and instructions discussed in this manual cannot cover all possible conditions and situations that may occur. The operator must understand that common sense and caution are factors which cannot be built into this product, but must be supplied by the operator.

PRODUCT DESCRIPTION

The OEMTOOLS® 2,000 Lb. Folding Engine Stand is designed to safely support a rated capacity engine during the time that the engine is being rebuilt or repaired.

SPECIFIC SAFETY INSTRUCTIONS AND WARNINGS

!WARNING: NEVER use for any purpose other than those uses outlined above!

Verify that the product and application are compatible, if in doubt call OEMTOOLS® at 1-866-458-2472.

1. Before using this product, read the operator's manual completely and familiarize yourself thoroughly with the product, its components and recognize the hazards associated with its use.
2. Wear appropriate safety gear, including heavy-duty work gloves and ANSI-approved safety goggles during use.



2,000 LB. FOLDING ENGINE STAND

3. Do not exceed the weight capacity of the Engine Stand. Make sure weight is evenly distributed. Be aware of dynamic loading! Sudden load movement may briefly create excess load causing product failure. Exceeding the maximum capacity for this product is dangerous and can lead to serious injury or property damage.
4. Always evaluate your task before using this Engine Stand. Use as intended only.
5. Lifting or supporting a vehicle or its components, even within weight limit, can create an off-balance situation, causing Jack to tip over and MAY lead to serious personal injury or property damage.
6. Use as intended only. Do not use for lifting human weight. Keep clear of raised load.
7. Use only on a hard, level and flat surface capable of bearing the combined weight of the Engine Stand, load being lifted, the operator and any tools being used.

▲WARNING: NEVER load the Engine Stand with an engine that extends beyond the centerlines of the front and rear wheel/caster axles.

8. If you are working and the load becomes off-balance and/or the Engine Stand begins to tip over, DO NOT ATTEMPT TO CATCH OR LIFT THE LOAD WHEN FALLING. SERIOUS PERSONAL INJURY CAN RESULT! In this event, clear the area as quickly and safely as possible in order to avoid injury from the falling load, including getting hit with flying fragments.
9. Before each use, inspect the general condition of the Engine Stand. If a problem occurs, have the problem corrected before further use.

▲WARNING: TO PREVENT SERIOUS INJURY: DO NOT USE A DAMAGED OR MALFUNCTIONING ENGINE STAND

10. If in doubt about the safety of your project, we advise you to have the work done by a professional familiar with applicable safety practices.
11. Ensure Lock Pins are installed and secured in front legs before loading!

ASSEMBLY

ASSEMBLY NUMBERS MATCH PARTS BREAKDOWN SUPPLIED BY VENDOR

1. Attach four 3-1/2" Casters (16) to Legs (22) and Base (15) with Bolts and Lock Washers (18, 17).
2. Attach two 3" Casters (19) to Base (15) with Bolts, Flat Washers and Lock Washers (18, 17, 20).
3. Attach Post (9) to the Base (15) with Bolts, Washers and Nut (7, 8, 24). Hand tighten only.
4. Attach two of each Brace (14) to Post (9) with one Bolt, Washer and Nut (7, 8, 13). Attach the other end to the inside of Base (15) with two Bolts, Washers and Nuts (7, 8, 10). Tighten all Nuts.
5. Attach two Legs (22) to Base (15) with Lock Pins and Cotter Pins (21, 23) (be sure to install all 4 Lock Pins and Cotter Pins).

6. Slide rotating Plate Assembly (6) into collar at top of Post (9). Insert Pin (25) to fasten Head Plate Assembly.
7. Attach four Mounting Arms (4) to the Head Plate Assembly (6) with Bolts, Flat Washers, Lock Washers and Nuts (1, 2, 3).
8. Insert Handle (12) into hole on rotating Plate Assembly. Place Handle Grip (11) on each end of Handle.

NOTE: Check all fasteners for tightness, tighten where required.

To fold for storage:

1. Remove Cotter Pin (23) and Lock Pin (21) from the forward most position of the Leg (22).
2. Carefully and slowly fold Leg (22) up.

▲WARNING: Pinch Hazard: Be mindful of wear you place your hands, fingers or feet when raising or lowering legs.

3. Slide Lock Pin (21) into the front hole of the Leg (22) and secure with Cotter Pin (23). Repeat for other Leg.

OPERATION

1. Align engine with stand, then adjust mounting arms to match bell housing mounting bolt holes. Rotational lock must be secure before applying load.
2. Carefully secure engine so that load is centered on stand. Secure with high strength stud bolts and flat washers. Ensure threads are compatible with your engine, and use washers on both sides of head plate.
3. To rotate engine: Slowly and carefully release locking mechanism. Use original handle to rotate, then secure by engaging locking mechanism.
4. Check to ensure stand is secure before working on or around stand. Never work under loaded stand.

▲WARNING: Use only the handle provided by the manufacturer. The handle provided with this stand will safely engage and operate the head plate. If the handle is worn, bent, or otherwise damaged, STOP; discontinue use of the stand until a factory replacement handle assembly can be acquired.

▲CAUTION: Use caution when troubleshooting a malfunctioning Engine Stand. Stay well clear of the supported load. Completely resolve all problems before use. If the Engine Stand is malfunctioning, have a qualified technician inspect and repair the Engine Stand before use.

MAINTENANCE

A periodic coating of light lubricating oil to pivot points, adjusting points, casters, etc. will help to prevent rust and assure that all components move freely.

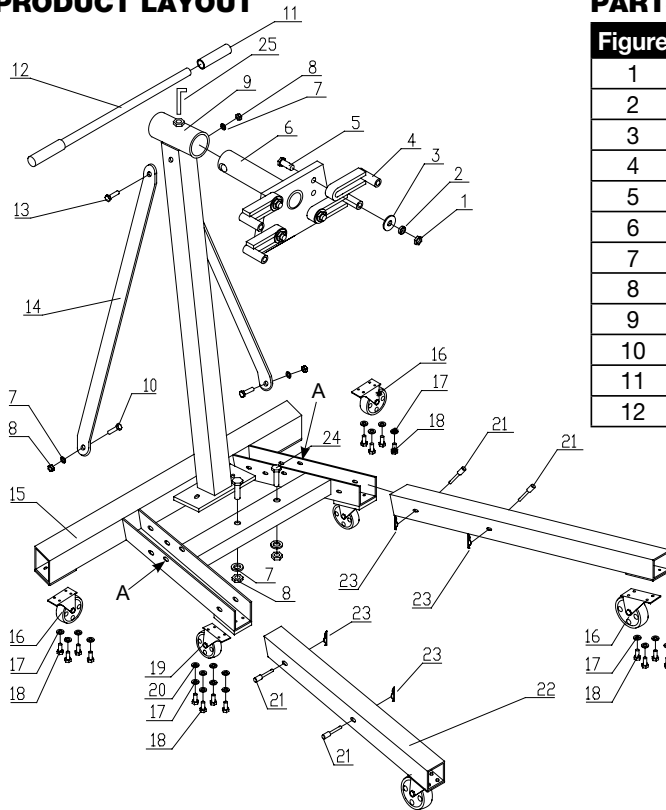
STORAGE

Always store the Engine Stand in a well protected area where it will not be exposed to inclement weather, corrosive vapors, abrasive dust, or any other harmful elements.



2,000 LB. FOLDING ENGINE STAND

PRODUCT LAYOUT



PARTS LIST

Figure	Description	Qty.	Figure	Description	Qty.
1	Nut M16	4	13	Bolt M12 x 85	1
2	Lock Washer M16	4	14	Braces	2
3	Flat Washer M16	4	15	Base	1
4	Mounting Arm	4	16	3-1/2" Casters	4
5	Bolt M14 x 70	4	17	Lock Washer M8	24
6	Head Plate Assembly	1	18	Bolt M8 x 16	24
7	Lock Washer M12	5	19	3" Casters	2
8	Nut M12	5	20	Flat Washer M8	8
9	Post	1	21	Lock Pins	4
10	Bolt M12 x 25	2	22	Leg	2
11	Handle Grip	1	23	Cotter Pin	4
12	Handle	1	24	Bolt M12 x 60	2
			25	L Type Lock Pin	1

NOTE: Not all components of the Engine Stand are replacement items, but are illustrated as a convenient reference for location and position in the assembly sequence. The manufacturer and/or distributor have provided the parts list and assembly diagram in this manual as a reference tool only. Neither the manufacturer nor distributor makes any representation or warranty of any kind to the buyer that he or she is qualified to make any repairs to the product, or that he or she is qualified to replace any parts of the product. In fact, the manufacturer and/or distributor expressly states that all repairs and parts replacements should be undertaken by certified and licensed technicians, and not by the buyer. The buyer assumes all risk and liability arising out of his or her repairs to the original product or replacement parts thereto, or arising out of his or her installation of replacement parts thereto.

WE STAND BEHIND OUR TOOLS. OEMTOOLS® 1 YEAR WARRANTY

If within 1 year from the date of purchase of this OEMTOOLS product, you find any defect in material or workmanship, through normal usage, return it to the place of purchase or to OEMTOOLS® for repair or replacement at our discretion. In order to obtain this service, send your tool and proof of purchase (transportation pre-paid) to:

OEMTOOLS® Q.A. Dept., 3580 E. Raines Road #3, Memphis, TN 38118.

We will not be responsible for lost or damaged goods during transportation; please insure your package. If our inspection verifies the defect, we will repair or replace the product, or we may elect to refund the purchase price if we cannot readily and quickly provide you with a replacement. We will return repaired products at our expense, but if we determine there is no defect, or that the defect resulted from causes not within the scope of our warranty, then you must bear the cost of returning the product.

OEMTOOLS® does not provide warranty for products labeled other than OEM® or OEMTOOLS®. OEMTOOLS® will not provide any warranty for products subjected to abnormal use. Abnormal use includes (but is not limited to) abuse, accident, alteration, neglect, and unauthorized or unreasonable use or repairs. This warranty does not cover bits, blades, files, batteries, or calibration. We recommend that you maintain your tools and sharpen or replace blades, bits, files, and batteries as necessary. OEMTOOLS® reserves the right to make any changes in construction or design at any time without any obligation in incorporating such changes to tools or equipment previously sold.

OEMTOOLS® makes every effort to ensure that its products meet high quality and durability standards, and warrants to the original purchaser that this product is free from defects in materials and workmanship. This warranty does not apply to damage due directly or indirectly to misuse, abuse, negligence or accidents, repairs or alterations outside our facilities, criminal activity, improper installation, normal wear and tear, or to lack of maintenance.

OEMTOOLS® is not responsible for damaged shipments or shortages resulting from carrier mishandling. Notify your carrier's office immediately to file a claim. Keep damaged goods and containers for inspection until advised by the carrier as to disposal.

We shall in no event be liable for death, injuries to persons or property, or for incidental, contingent, special or consequential damages arising from the use of our product. Some states do not allow the exclusion or limitation of incidental or consequential damages, so the above limitation of exclusion may not apply to you. **THIS WARRANTY IS EXPRESSLY IN LIEU OF ALL OTHER WARRANTIES, EXPRESS OR IMPLIED, INCLUDING THE WARRANTIES OF MERCHANTABILITY AND FITNESS.** This warranty gives you specific legal rights, and you may also have other rights, which vary from state to state.

Please contact us at customerservice@oem-tools.com or call us at 901-370-1101 for additional information or questions.

Thank you for your purchase.

CONTACT US

3580 E. Raines Road, Suite 3, Memphis, TN 38118
 Tel: 1-866-458-2472
www.oem-tools.com