

Please read and save these instructions. Read through this owner's manual carefully before using product. Protect yourself and others by observing all safety information, warnings, and cautions. Failure to comply with instructions could result in personal injury and/or damage to product or property. Please retain instructions for future reference.



2 TON FOLDING SHOP CRANE

FOR CUSTOMER SERVICE

Technical Question?

CALL 1-866-458-2472
customerservice@oem-tools.com

UNPACKING

After unpacking the unit, inspect carefully for any damage that may have occurred during transit. Check for loose, missing, or damaged parts. If any damage is observed, a shipping damage claim must be filed with the carrier. DO NOT use the OEMTOOLS® 24830 2 Ton Folding Shop Crane if broken, bent, cracked or damaged parts (including labels) are noted. Any Shop Crane that appears damaged in any way, operates abnormally or is missing parts should be removed from service immediately. If you suspect that the Shop Crane was subjected to shock load (a load that was dropped suddenly, unexpectedly, etc.) Immediately discontinue use until it has been checked by a factory authorized service center.



⚠ WARNING

The following safety information is provided as a guideline to help you operate your Shop Crane under the safest possible conditions. Any tool or piece of equipment can be potentially dangerous to use when safety or safe handling instructions are not known or not followed. The following safety instructions are to provide the user with the information necessary for safe use and operation. Please read and retain these instructions for the continued safe use of your Shop Crane. Failure to follow instructions listed below may result in serious injury. In addition, make sure that anyone who uses the equipment understands and follows these safety instructions as well.

Explanation of Safety Signal Words

⚠WARNING: Indicates a potentially hazardous situation which, if not avoided, could result in death or serious injury.

⚠CAUTION: Indicates a potentially hazardous situation which, if not avoided, may result in minor or moderate injury.

CAUTION: Used without the safety alert symbol indicates a potentially hazardous situation which, if not avoided, may result in property damage.

NOTES: Provide clarity and helpful information.

Thank you very much for choosing an OEMTOOLS® Product!

For future reference, please register your new tool at www.oem-tools.com and complete the owner's record below:

Model: _____ **Purchase Date:** _____

Save the receipt, warranty and these instructions. It is important that you read the entire manual to become familiar with this product before you begin using it. This product is designed for certain applications only. OEMTOOLS® cannot be responsible for issues arising from modification. We strongly recommend that this product is not modified and/or used for any application other than that for which it was designed. If you have any questions relative to a particular application, DO NOT use the product until you have first contacted customer service to determine if it can or should be performed on the product.

⚠WARNING: This product can expose you to chemicals which are known to the State of California to cause cancer and birth defects or other reproductive harm. For more information go to www.P65Warnings.ca.gov.



2 TON FOLDING SHOP CRANE

! IMPORTANT INSTRUCTIONS AND SAFETY RULES

1. Know your product. Read this manual carefully. Learn the product's applications and limitations, as well as potential hazards specific to it. The use of this product is simple and straightforward if you follow the instructions. When operating this product, use common sense and only use this product for its intended purpose.
2. Maintain labels and nameplates on this product. These carry important information. If unreadable or missing, contact OEMTOOLS® for a replacement.
3. Maintain this product with care. Keep it dry and clean – and free from brake fluid, oil, and grease (if applicable).
4. Check for damage. Check your product regularly. If part of the product is damaged, it should be carefully inspected to make sure that it can perform its intended function correctly. If in doubt, the part should be repaired. Refer all servicing to a qualified technician. Consult your dealer for advice.
5. Check for misalignment or binding of moving parts, breakage of parts, and any other condition that may affect the product's operation.
6. DO NOT use a damaged product. Tag damaged products "DO NOT USE" until repaired. If damaged, have the product serviced before using. Many accidents are caused by poorly maintained products.
7. Service must be performed only by qualified repair personnel. Service or maintenance performed by unqualified personnel could create a risk of injury.
8. When servicing a product, use only identical replacement parts. Use of unauthorized parts or failure to follow maintenance instructions could create a risk of injury.
9. Use only accessories that are recommended by the manufacturer for your model. Accessories that may be suitable for one product may become hazardous when used on another product.
10. Keep work area clean and well lit. Cluttered or dark work areas invite accidents.
11. Maintain a safe working environment. Keep the work area well lit. Make sure there is adequate surrounding workspace. Keep the work area free of obstructions, grease, oil, trash, and other debris. DO NOT use this product in a damp or wet location.
12. Keep children away from the work area. Never let a child handle this product without strict adult supervision.
13. Store this product out of the reach of children and untrained persons. This product may be dangerous in the hands of untrained users.
14. DO NOT operate this product if under the influence of alcohol or drugs. Read warning labels on prescriptions to determine if your judgment or reflexes are impaired while taking drugs. If there is any doubt, DO NOT attempt to operate.
15. Use safety equipment. Eye protection should be worn at all times when operating this product. Use ANSI approved safety glasses. Everyday eyeglasses are NOT safety glasses. Dust mask, non-skid safety shoes, hard hat or hearing protection should be used in appropriate conditions.
16. Wear proper apparel. Loose clothing, gloves, neck-ties, rings, bracelets or other jewelry may present a potential hazard when operating this product. Keep all apparel clear of the product.
17. DO NOT overreach. Keep proper footing and balance at all times when operating this product.
18. Keep away from flammables. DO NOT attempt to operate this product near flammable materials or combustibles. Failure to comply may cause serious injury or death.
19. Avoid accidental fire and/or explosion. DO NOT smoke near engine fuel and battery components.
20. We believe the information contained herein to be reliable. However, general technical information is given by us without charge and the user shall employ such information at their own discretion and risk. We assume no responsibility for results or damages incurred from the use of such information in whole or in part. Always refer to specific instructions and technical information supplied by vehicle manufacturer.
21. The manufacturer declines any and all responsibility for property damage or injury if said damage is the result of unskillful handling by the operator or of failure to observe the basic safety rules set forth in the instruction manual.
22. The warnings, precautions, and instructions discussed in this manual cannot cover all possible conditions and situations that may occur. The operator must understand that common sense and caution are factors which cannot be built into this product, but must be supplied by the operator.

PRODUCT DESCRIPTION

The OEMTOOLS® 24830 2 Ton Folding Shop Crane is intended for removing, installing and transporting, in the lowest position, automotive and light truck engines and engine assemblies. It must be used with appropriately rated engine leveler, sling and/or chains which are NOT INCLUDED. After removing, immediately transfer the load to a work station or engine stand. DO NOT exceed rated capacity. NEVER use for any purpose other than those uses outlined above!

PRODUCT SPECIFICATIONS

Rated Capacity	2 Ton
Ram Travel Stroke	18"
Base Length	65"
Base Width (Front)	41"
Base Width (Rear)	32"

Boom Position/Ton	Min. Hook/Height	Max. Hook/Height	Hook to Ram
0.5	0	74.5"	40"
1	0	71"	34"
1.5	6.5"	67"	27"
2	12"	64"	20.5"



2 TON FOLDING SHOP CRANE

SPECIFIC SAFETY INSTRUCTIONS AND WARNINGS

1. Verify that the product and application are compatible, if in doubt call OEMTOOLS at 1-866-458-2472.
2. Before using this product, read the operator's manual completely and familiarize yourself thoroughly with the product, its components and recognize the hazards associated with its use.
3. Wear appropriate safety gear, including heavy-duty work gloves and ANSI-approved safety goggles during use.
4. DO NOT exceed the weight capacity of the Engine Crane. Make sure weight is evenly distributed. Be aware of dynamic loading! Sudden load movement may briefly create excess load causing product failure. Exceeding the maximum capacity for this product is dangerous and can lead to serious injury or property damage.
5. Always evaluate your task before using this Engine Crane. Use as intended only.
6. Lifting or supporting a vehicle or its components, even within weight limit, can create an off-balance situation, causing Jack to tip over and MAY lead to serious personal injury or property damage.
7. Use as intended only. DO NOT use for lifting human weight. Keep clear of raised load.
8. Use only on a hard, level and flat surface capable of bearing the combined weight of the Engine Crane, load being lifted, the operator and any tools being used.

▲WARNING:

9. If you are working and the load becomes off-balance and/or the Engine Crane begins to tip over, DO NOT ATTEMPT TO CATCH OR LIFT THE LOAD WHEN FALLING. SERIOUS PERSONAL INJURY CAN RESULT! In this event, clear the area as quickly and safely as possible in order to avoid injury from the falling load, including getting hit with flying fragments.
10. Before each use, inspect the general condition of the Engine Crane. If a problem occurs, have the problem corrected before further use.

▲WARNING: TO PREVENT SERIOUS INJURY: DO NOT USE A DAMAGED OR MALFUNCTIONING ENGINE CRANE

11. If in doubt about the safety of your project, we advise you to have the work done by a professional familiar with applicable safety practices.

ASSEMBLY INSTRUCTIONS

WARNING: During the assembly procedure, nuts and bolts should be hand tightened. Once the assembly is complete, nuts and bolts must be fully tightened.

1. Attach two 3-1/2" Swivel Casters (9) to Base Frame (1) using Bolts (21), Nuts (30) and Lock Washers (31).
2. Attach two 3" Swivel Casters (10) to Base Frame (1) using Bolts (22) and Lock Washers (31)
3. Attach one 3-1/2" Swivel Casters (9) to each Leg (4) using Bolts (21), Nuts (30) and Lock Washers (31).
4. Insert the Legs (4) into the Base Frame (1) and lock the Legs in place using four Locking Pins (5). Secure these in place using four Hairpin Cotter Clips (7).

5. Attach the Main Post (3) to the Base Frame (1) using Bolts (19), Nuts (25), and Flat Washers (26).
6. Secure the Boom (2) to the Main Post (3) using a Bolt (15), Nut (23) and Flat Washer (24).
7. Attach the support straps (6) to the top of the Main Post using Bolts (16), Nuts (23) and Flat Washers (24).
8. Attach the support straps (6) to the Base Frame (1) using Bolts (14), Nuts (23) and Flat Washers (24).
9. Connect bottom of Ram (11) to Main Post (3) using Bolt (17), Nut (23) and Flat Washer (24).
10. Have an assistant hold the Boom (2) up. Attach the top of the Ram (11) using a Bolt (18), Nut (23) and Flat Washer (24).
11. Slide the Boom Extension (13) into the Boom (2) and secure in one of the four positions using a Bolt (19), Nut (25) and Flat Washer (26).
12. Tighten all Nuts and Bolts.

OPERATION INSTRUCTIONS

BEFORE FIRST USE

1. To familiarize yourself with basic operation, turn the release valve lever:
 - a. Clockwise until firm resistance is felt to further turning. This is the 'CLOSED' release valve position used to raise the ram plunger.
 - b. Counter-clockwise, but no more than 2 turns from the closed position. This is the 'OPEN' release valve position used to lower the ram plunger.

▲WARNING: Clear all tools and personnel before lowering load. Open release valve slowly. The further the handle is turned counter-clockwise, the faster the load will descend. Maintain control of the load at all times.

2. With ram plunger fully retracted, remove the oil filler plug. Insert the handle into the handle sleeve, and then pump 6 to 8 strokes. This will help release any pressurized air, which may be trapped within the reservoir. Ensure the oil level is just below the oil filler hole. Reinstall the oil filler plug.
3. Check to ensure that the crane rolls freely and that the pump and release valve operate smoothly. Raise and lower the unloaded crane throughout the lifting range before putting into service.

OPERATION WARNINGS

▲WARNING: Use of this engine crane is limited to lifting, lowering, and transporting in the lowest possible position, automotive and light truck engines. It is NOT and should never be used as a work station.

▲WARNING: Always refer to vehicle service manual and/or shop manual for location of appropriate engine lift points and removal procedures.

▲WARNING: Lift only on areas of the engine as specified by the vehicle manufacturer.

▲WARNING: Never load the crane with an engine that extends beyond an imaginary line drawn connecting the centerlines of the front and rear wheel/caster axles!

1. Ensure that the load does not exceed the rated capacity of your chosen boom and leg position.



2 TON FOLDING SHOP CRANE

2. Secure appropriately rated engine leveler, chain or sling assembly (sold separately) to the vehicle manufacturers' recommended engine lift points.
3. Secure the engine crane safety hook assembly to the engine leveler, chain or sling assembly.
4. Refer to vehicle service manual and/or shop manual for location of appropriate engine lift points and removal procedures. Each engine removal/installation may require different tools, procedures, and level of expertise.
5. When ready to remove engine, turn release valve clockwise until firm. Pump handle until load is high enough to clear vehicle. Before moving, ensure the load is:
 - a. At the lowest practical position and always below the center of gravity.
 - b. Prevented from swinging and inadvertent shifting.

▲WARNING: Never put any portion of your body under a load supported by the engine crane. Keep crane on hard, smooth, level surface. Before moving crane, lower the boom as far below horizontal as possible, yet still allowing movement!

6. Remove engine, then immediately transfer the engine to appropriate engine support device (engine stand). Turn release valve lever counter-clockwise to lower the load, but never more than 2 full turns. Control the rate of descent of the load at all times. The more you open the release valve, the faster the load descends.
7. Ensure stand is secure before working on or around.

STORAGE:

Always store the Engine Crane in a well-protected area where it will not be exposed to inclement weather, corrosive vapors, abrasive dust, or any other harmful elements.

1. Remove forward most Hairpin Cotter Clips (7) and Locking Pins (5).
2. Raise each leg until it nears vertical; reinstall Hairpin Cotter Clip (7) and Locking Pin (5).

MAINTENANCE

A periodic coating of light lubricating oil to pivot points, adjusting points, etc. will help to prevent rust and ensure that all components move freely.

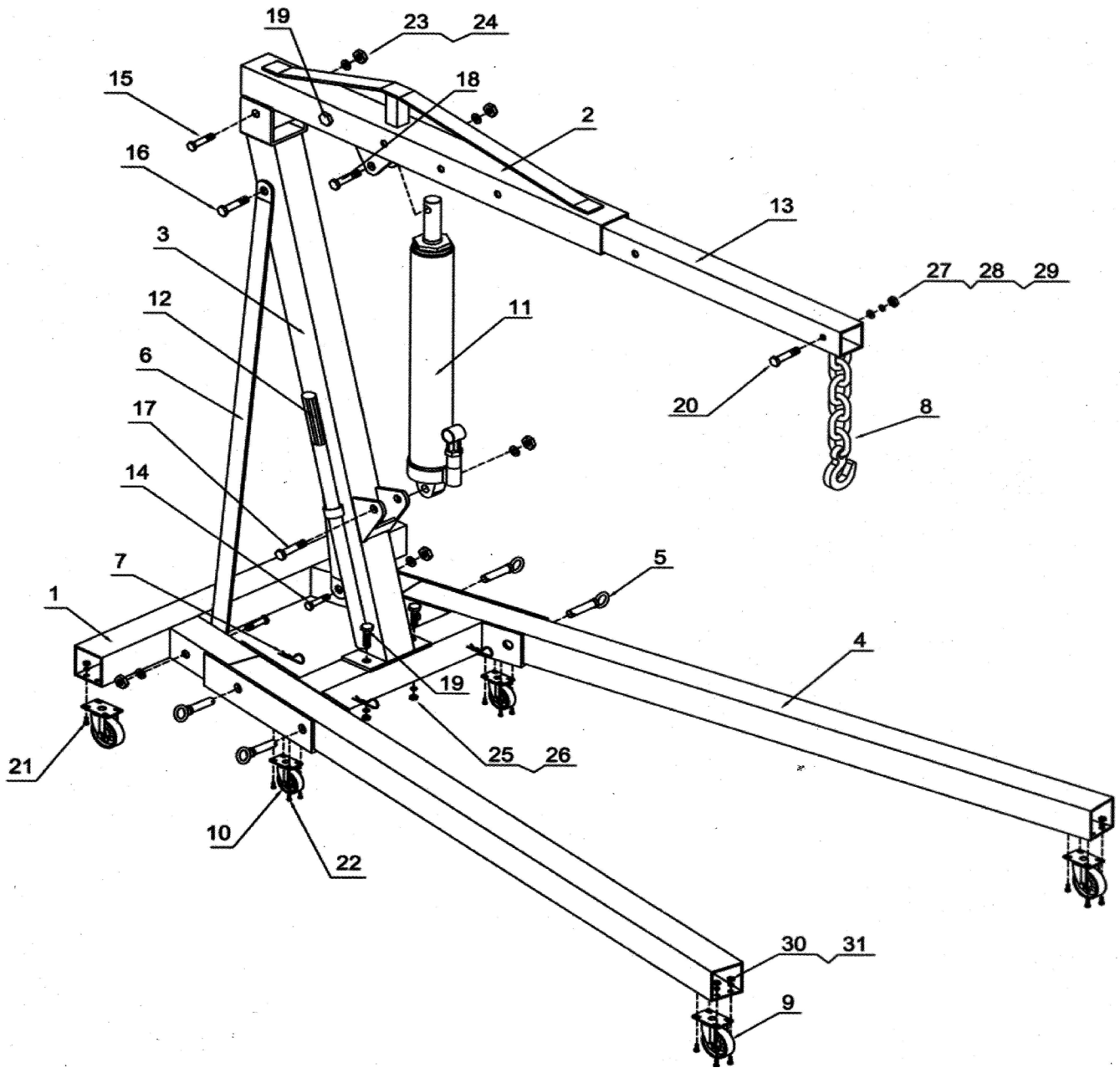
DISPOSAL

At the end of the useful life of the 2 Ton Folding Shop Crane, dispose of the components according to all state, federal, and local regulations.



2 TON FOLDING SHOP CRANE

PRODUCT LAYOUT





2 TON FOLDING SHOP CRANE

PARTS LIST

Figure	Description	Qty.
1	Base Frame	1
2	Boom	1
3	Main Post	1
4	Extension Leg	2
5	Lock Pin	4
6	Support Strap	2
7	Hairpin Cotter Clip	4
8	Chain & Hook Assembly	1
9	3-1/2" Swivel Caster	4
10	3" Swivel Caster	2
11	8 Ton Long Ram Jack	1
12	Jack Handle	1
13	Boom Extension	1
14	M16x100 Bolt	2
15	M16x120 Bolt	1
16	M16x110 Bolt	1
17	M16x90 Bolt	1
18	M16x80 Bolt	1
19	M14x100 Bolt	3
20	M12x80 Bolt	1
21	M8x20 Bolt	16
22	M8x12 Bolt	8
23	M16 Nut	6
24	M16 Flat Washer	6
25	M14 Nut	3
26	M14 Flat Washer	3
27	M12 Nut	1
28	M12 Flat Washer	1
29	M12 Lock Washer	1
30	M8 Nut	24
31	M8 Lock Washer	24

NOTES: Not all components of the Engine Crane are replacement items, but are illustrated as a convenient reference for location and position in the assembly sequence.

The manufacturer and/or distributor have provided the parts list and assembly diagram in this manual as a reference tool only. Neither the manufacturer nor distributor makes any representation or warranty of any kind to the buyer that he or she is qualified to make any repairs to the product, or that he or she is qualified to replace any parts of the product. In fact, the manufacturer and/or distributor expressly states that all repairs and parts replacements should be undertaken by certified and licensed technicians, and not by the buyer. The buyer assumes all risk and liability arising out of his or her repairs to the original product or replacement parts thereto, or arising out of his or her installation of replacement parts thereto.

Use caution when troubleshooting a malfunctioning Engine Crane. Stay well clear of the supported load. Completely resolve all problems before use. If the Engine Crane is malfunctioning, have a qualified technician inspect and repair the Engine Crane before use.



2 TON FOLDING SHOP CRANE

WE STAND BEHIND OUR TOOLS. OEMTOOLS® 90 DAY WARRANTY

If within 90 days from the date of purchase of this OEMTOOLS product, you find any defect in material or workmanship, through normal usage, return it to the place of purchase or to OEMTOOLS® for repair or replacement at our discretion. In order to obtain this service, send your tool and proof of purchase (transportation pre-paid) to:

OEMTOOLS® Q.A. Dept., 3580 E. Raines Road #3, Memphis, TN 38118.

We will not be responsible for lost or damaged goods during transportation; please insure your package. If our inspection verifies the defect, we will repair or replace the product, or we may elect to refund the purchase price if we cannot readily and quickly provide you with a replacement. We will return repaired products at our expense, but if we determine there is no defect, or that the defect resulted from causes not within the scope of our warranty, then you must bear the cost of returning the product.

OEMTOOLS® does not provide warranty for products labeled other than OEM® or OEMTOOLS®. OEMTOOLS® will not provide any warranty for products subjected to abnormal use. Abnormal use includes (but is not limited to) abuse, accident, alteration, neglect, and unauthorized or unreasonable use or repairs. This warranty does not cover bits, blades, files, batteries, or calibration. We recommend that you maintain your tools and sharpen or replace blades, bits, files, and batteries as necessary. OEMTOOLS® reserves the right to make any changes in construction or design at any time without any obligation in incorporating such changes to tools or equipment previously sold.

OEMTOOLS® makes every effort to ensure that its products meet high quality and durability standards, and warrants to the original purchaser that this product is free from defects in materials and workmanship. This warranty does not apply to damage due directly or indirectly to misuse, abuse, negligence or accidents, repairs or alterations outside our facilities, criminal activity, improper installation, normal wear and tear, or to lack of maintenance.

OEMTOOLS® is not responsible for damaged shipments or shortages resulting from carrier mishandling. Notify your carrier's office immediately to file a claim. Keep damaged goods and containers for inspection until advised by the carrier as to disposal.

We shall in no event be liable for death, injuries to persons or property, or for incidental, contingent, special or consequential damages arising from the use of our product. Some states do not allow the exclusion or limitation of incidental or consequential damages, so the above limitation of exclusion may not apply to you. THIS WARRANTY IS EXPRESSLY IN LIEU OF ALL OTHER WARRANTIES, EXPRESS OR IMPLIED, INCLUDING THE WARRANTIES OF MERCHANTABILITY AND FITNESS. This warranty gives you specific legal rights, and you may also have other rights, which vary from state to state.

Please contact us at customerservice@oem-tools.com or call us at 901-370-1101 for additional information or questions.

Thank you for your purchase.

CONTACT US

3580 E. Raines Road, Suite 3, Memphis, TN 38118
Tel: 1-866-458-2472
www.oem-tools.com