

Please read and save these instructions. Read through this owner's manual carefully before using product. Protect yourself and others by observing all safety information, warnings, and cautions. Failure to comply with instructions could result in personal injury and/or damage to product or property. Please retain instructions for future reference.



## 1,250 LB. LARGE ENGINE STAND

### FOR CUSTOMER SERVICE

Technical Question?

**CALL 1-866-458-2472**  
**customerservice@oem-tools.com**

### UNPACKING

After unpacking the unit, inspect carefully for any damage that may have occurred during transit. Check for loose, missing, or damaged parts. If any damage is observed, a shipping damage claim must be filed with the carrier. **DO NOT** use the OEMTOOLS® 24829 1,250 Lb. Large Engine Stand if broken, bent, cracked or damaged parts (including labels) are noted. Any Engine Stand that appears damaged in any way, operates abnormally or is missing parts should be removed from service immediately. If you suspect that the Engine Stand was subjected to shock load (a load that was dropped suddenly, unexpectedly, etc.) Immediately discontinue use until it has been checked by a factory authorized service center.



### **⚠** WARNING

The following safety information is provided as a guideline to help you operate your Engine Stand under the safest possible conditions. Any tool or piece of equipment can be potentially dangerous to use when safety or safe handling instructions are not known or not followed. The following safety instructions are to provide the user with the information necessary for safe use and operation. Please read and retain these instructions for the continued safe use of your Engine Stand. Failure to follow instructions listed below may result in serious injury. In addition, make sure that anyone who uses the equipment understands and follows these safety instructions as well.

### Explanation of Safety Signal Words

**⚠WARNING:** Indicates a potentially hazardous situation which, if not avoided, could result in death or serious injury.

**⚠CAUTION:** Indicates a potentially hazardous situation which, if not avoided, may result in minor or moderate injury.

**CAUTION:** Used without the safety alert symbol indicates a potentially hazardous situation which, if not avoided, may result in property damage.

**NOTES:** Provide clarity and helpful information.

Thank you very much for choosing an OEMTOOLS® Product!

For future reference, please register your new tool at [www.oem-tools.com](http://www.oem-tools.com) and complete the owner's record below:

**Model:** \_\_\_\_\_ **Purchase Date:** \_\_\_\_\_

Save the receipt, warranty and these instructions. It is important that you read the entire manual to become familiar with this product before you begin using it. This product is designed for certain applications only. OEMTOOLS® cannot be responsible for issues arising from modification. We strongly recommend that this product is not modified and/or used for any application other than that for which it was designed. If you have any questions relative to a particular application, **DO NOT** use the product until you have first contacted customer service to determine if it can or should be performed on the product.

**⚠WARNING:** Pursuant to California Proposition 65, this product contains chemicals known to the state of California to cause cancer and birth defects or other reproductive harm. Wash hands after handling.



## 1,250 LB. LARGE ENGINE STAND

### **! IMPORTANT INSTRUCTIONS AND SAFETY RULES**

1. Know your product. Read this manual carefully. Learn the product's applications and limitations, as well as potential hazards specific to it. The use of this product is simple and straightforward if you follow the instructions. When operating this product, use common sense and only use this product for its intended purpose.
2. Maintain labels and nameplates on this product. These carry important information. If unreadable or missing, contact OEMTOOLS® for a replacement.
3. Maintain this product with care. Keep it dry and clean – and free from brake fluid, oil, and grease (if applicable).
4. Check for damage. Check your product regularly. If part of the product is damaged, it should be carefully inspected to make sure that it can perform its intended function correctly. If in doubt, the part should be repaired. Refer all servicing to a qualified technician. Consult your dealer for advice.
5. Check for misalignment or binding of moving parts, breakage of parts, and any other condition that may affect the product's operation.
6. DO NOT use a damaged product. Tag damaged products "DO NOT USE" until repaired. If damaged, have the product serviced before using. Many accidents are caused by poorly maintained products.
7. Service must be performed only by qualified repair personnel. Service or maintenance performed by unqualified personnel could create a risk of injury.
8. When servicing a product, use only identical replacement parts. Use of unauthorized parts or failure to follow maintenance instructions could create a risk of injury.
9. Use only accessories that are recommended by the manufacturer for your model. Accessories that may be suitable for one product may become hazardous when used on another product.
10. Keep work area clean and well lit. Cluttered or dark work areas invite accidents.
11. Maintain a safe working environment. Keep the work area well lit. Make sure there is adequate surrounding workspace. Keep the work area free of obstructions, grease, oil, trash, and other debris. DO NOT use this product in a damp or wet location.
12. Keep children away from the work area. Never let a child handle this product without strict adult supervision.
13. Store this product out of the reach of children and untrained persons. This product may be dangerous in the hands of untrained users.
14. DO NOT operate this product if under the influence of alcohol or drugs. Read warning labels on prescriptions to determine if your judgment or reflexes are impaired while taking drugs. If there is any doubt, DO NOT attempt to operate.
15. Use safety equipment. Eye protection should be worn at all times when operating this product. Use ANSI approved safety glasses. Everyday eyeglasses are NOT safety glasses. Dust mask, non-skid safety shoes, hard hat or hearing protection should be used in appropriate conditions.
16. Wear proper apparel. Loose clothing, gloves, neck-ties, rings, bracelets or other jewelry may present a potential hazard when operating this product. Keep all apparel clear of the product.
17. DO NOT overreach. Keep proper footing and balance at all times when operating this product.

18. Keep away from flammables. DO NOT attempt to operate this product near flammable materials or combustibles. Failure to comply may cause serious injury or death.
19. Avoid accidental fire and/or explosion. DO NOT smoke near engine fuel and battery components.
20. We believe the information contained herein to be reliable. However, general technical information is given by us without charge and the user shall employ such information at their own discretion and risk. We assume no responsibility for results or damages incurred from the use of such information in whole or in part. Always refer to specific instructions and technical information supplied by vehicle manufacturer.
21. The manufacturer declines any and all responsibility for property damage or injury if said damage is the result of unskillful handling by the operator or of failure to observe the basic safety rules set forth in the instruction manual.
22. The warnings, precautions, and instructions discussed in this manual cannot cover all possible conditions and situations that may occur. The operator must understand that common sense and caution are factors which cannot be built into this product, but must be supplied by the operator.

### PRODUCT DESCRIPTION

The OEMTOOLS® 24829 1,250 Lb. Large Engine Stand accepts a wide range of automotive engines up to 1,250 Lb. maximum capacity, cylinder heads and automatic transmissions. The mounted engine can be turned through 360° for maximum accessibility. The extra wide 4 wheeled base gives added stability.

### PRODUCT SPECIFICATIONS

<b>Capacity</b>	1,250 Lb.
<b>Base Size (L x W)</b>	33-1/2" (L) x 34" (W)
<b>Overall Height</b>	37"
<b>Head Plate (L x H x Thickness)</b>	9-13/16" x 6" x 3/8"
<b>2 Wheel Diameter</b>	3-1/2"
<b>2 Castor Diameter</b>	3"
<b>Shipping Weight</b>	72.7 Lb.

### SPECIFIC SAFETY INSTRUCTIONS AND WARNINGS

**!WARNING:** The use of portable automotive lifting and support devices is subject to certain hazards that cannot be prevented by mechanical means, but only by the exercise of intelligence, care, and common sense. It is therefore essential to have owners and personnel involved in the use and operation of the equipment who are careful, competent, trained, and qualified in the safe operation of the equipment and its proper use. Examples of hazards are dropping, tipping or slipping of loads caused primarily by improperly securing loads, overloading, off-centered loads, use on other than hard level surfaces, and using equipment for a purpose for which it was not designed.

1. Read, study and understand all instructions before operating.
2. Inspect the engine stand before each use. DO NOT use if damaged, altered, modified, in poor condition, or has loose or missing hardware or components. Take corrective action before using the engine stand.
3. DO NOT use beyond rated capacity
4. Use only on hard level surface capable of supporting the load.
5. Make sure all mounting hardware is securely tightened and setup is stable before rotating engine.



## 1,250 LB. LARGE ENGINE STAND

6. Always use high strength SAE grade 8 bolts for mounting engine to mounting head fingers.
7. Make sure widest set of mounting head fingers are nearest the ground when mounting engine to stand.
8. Assure the load is centered, balanced and secured to the mounting head and fingers. The engine's weight should be balanced within one inch of the mounting head's rotational axis.
9. Never loosen mounting head bolts or engine mounting bolts unless engine is supported by a crane or hoist.
10. Only attachments and/or adapters supplied by OEMTOOLS shall be used.
11. DO NOT use stand to dolly or transport engine.
12. DO NOT crawl under engine or place any part of your body under engine at any time.
13. Refer to engine manufacturer's service manual for proper lifting points, mounting points and bolt sizes. Mounting bolts should be torqued at appropriate amount to maintain load.
14. This product contains one or more chemicals known to the State of California to cause cancer and birth defects or other reproductive harm. Wash hands thoroughly after handling.
15. Failure to heed these warnings may result in serious or fatal personal injury and/or property damage.

**▲WARNING:** Failure to read this manual completely and thoroughly, failure to understand its OPERATION INSTRUCTIONS, SAFETY WARNINGS, PREVENTATIVE MAINTENANCE and comply with them, and failure to comply with the SPECIFIC SAFETY INSTRUCTIONS AND WARNINGS could cause accidents resulting in serious or fatal personal injury and/or property damage.

Always verify that the product and application are compatible. Never load the engine stand with an engine that extends beyond an imaginary line drawn connecting the centerlines of the front and rear wheel/ caster axles as shown in exploded view on page 4.

### ASSEMBLY INSTRUCTIONS

PLEASE REFER TO THE EXPLODED VIEW DRAWING IN THIS MANUAL IN ORDER TO IDENTIFY PARTS.

1. Attach side legs (2) to rear frame (3) with four bolts (4) and two bolts (7), and four washers (5) and four nuts (6).
2. Attach main post (1) to rear frame (3) with four bolts (4), four washers (5) and four nuts (6).
3. Insert mounting plate (8) into collar at top of main post (1) and secure with locking pin (9).
4. Attach the four mounting arms (10) to mounting plate (8) with four nuts (6), four bolts (11), four washers (5) and four washers (12).
5. Screw in handle (13) to back of mounting plate (8).

### OPERATION INSTRUCTIONS

**NOTE:** DO NOT mount engine to mounting plate (8) unless locking pin (9) is in place and secured.

1. Consult the vehicle or engine manufacturer for service manuals and or technical bulletins that provide information on suggested engine mounting tips, proper size and type mounting bolts and the engine's center of balance. The engine's center of balance will have to be aligned with the rotational axis of the engine stand's mounting head assembly.
2. Drain oil and coolant and remove clutch bell housing and flywheel from engine before mounting. Attach an engine lifting bar or sling to the engine and secure the bar or sling to a shop crane or hoist.

Slowly lift the engine from its compartment making sure no other vehicle components, wires or hoses obstruct the free movement of the engine. Raise the engine high enough so its center of balance is close to the rotational axis of the stand's mounting head.

3. Make sure the four mounting head fingers are loosely connected to the mounting head plate. Secure the four mounting head fingers to the bell housing end of the engine with the appropriate bolts and washers. Reposition the mounting head, fingers and engine so the engine's center of balance is within one inch of the mounting head's rotational axis. Tighten all bolts to a sufficient torque requirement that prevents any slippage.
4. Slowly lower the crane or hoist so the engine stand supports the full weight of the engine. To check engine balance and secure setup of the engine to the stand, slowly rotate the engine by turning the handle (13). If balance or set up are not stable, rotate the engine to its original position, raise the crane or hoist so the weight of the engine is removed from the stand and make the correct adjustments. After adjustments are made, tighten all bolts. This adjustment procedure may have to be duplicated several times until correct. After the setup is balanced and secure, the lifting bar or sling can be removed from crane or hoist.
5. To remove the engine from the stand, connect the lifting bar or sling to the crane or hoist and raise the engine high enough to take the weight off of the stand. Carefully remove the bolts that connect the four mounting fingers to the engine. Be aware there will be a slight movement of the stand as the total engine weight is transferred to the crane or hoist.

### PREVENTATIVE MAINTENANCE

1. Always store the engine stand in a well-protected area where it will not be exposed to inclement weather, corrosive vapors, abrasive dust, or any other harmful elements. The engine stand must be cleaned of water, snow, sand or grit before using.
2. Lubricate the wheels, casters, zerkl fittings, gear and rotating shaft with a general purpose grease.
3. Every engine stand owner is responsible for keeping the engine stand label clean and readable. Use a mild soap solution to wash the external surfaces of the stand. Contact OEMTOOLS for a replacement label if your stand's label is not readable.
4. Inspect the stand before each use. DO NOT use the stand if any component is cracked, broken or bent. DO NOT use the stand if it has loose or missing hardware or components, or is modified in any way. Take corrective action before using the stand again.

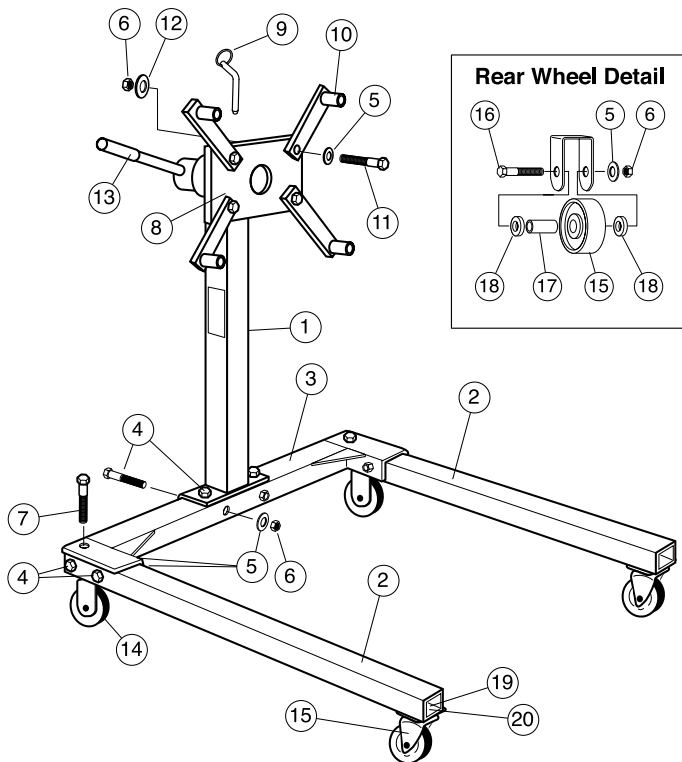
### DISPOSAL

1. At the end of the useful life of the Engine Stand, dispose of the components according to all state, federal, and local regulations.
2. All technicians opening the refrigeration circuit in automotive air conditioning systems must now be certified in refrigerant recovery and recycling procedures to be in compliance with Section 609 of the Clean Air Act Amendments of 1990. For information on certification call MACS Worldwide at (215) 631-7020.



# 1,250 LB. LARGE ENGINE STAND

## PRODUCT LAYOUT



## PARTS LIST

Figure	Description	Qty.
1	Main Post	1
2	Side Legs	2
3	Rear Frame	1
4	M12 x 25 Bolt	8
5	M12 Washer	16
6	M12 Nut	14
7	M12 x 25 Bolt	2
8	Mounting Plate	1
9	Locking Pin	1
10	Mounting Arms	4
11	M12 x 50 Bolt	4
12	M12 Large Flat Washer	4
13	Handle	1
14	Rear Wheels	2
15	Front Caster Assembly	2
16	M12 x 70 Bolt	2
17	Bushing	2
18	Spacer	4
19	M8 x 16 Bolt	8
20	M8 Nut	8

**NOTE:** Not all components of the engine stand are replacement items, but are illustrated as a convenient reference for location and position in the assembly sequence.

## WE STAND BEHIND OUR TOOLS. OEMTOOLS® 1 YEAR WARRANTY

If within 1 year from the date of purchase of this OEMTOOLS product, you find any defect in material or workmanship, through normal usage, return it to the place of purchase or to OEMTOOLS® for repair or replacement at our discretion. In order to obtain this service, send your tool and proof of purchase (transportation pre-paid) to:

OEMTOOLS® Q.A. Dept., 3580 E. Raines Road #3, Memphis, TN 38118.

We will not be responsible for lost or damaged goods during transportation; please insure your package. If our inspection verifies the defect, we will repair or replace the product, or we may elect to refund the purchase price if we cannot readily and quickly provide you with a replacement. We will return repaired products at our expense, but if we determine there is no defect, or that the defect resulted from causes not within the scope of our warranty, then you must bear the cost of returning the product.

OEMTOOLS® does not provide warranty for products labeled other than OEM® or OEMTOOLS®. OEMTOOLS® will not provide any warranty for products subjected to abnormal use. Abnormal use includes (but is not limited to) abuse, accident, alteration, neglect, and unauthorized or unreasonable use or repairs. This warranty does not cover bits, blades, files, batteries, or calibration. We recommend that you maintain your tools and sharpen or replace blades, bits, files, and batteries as necessary. OEMTOOLS® reserves the right to make any changes in construction or design at any time without any obligation in incorporating such changes to tools or equipment previously sold.

OEMTOOLS® makes every effort to ensure that its products meet high quality and durability standards, and warrants to the original purchaser that this product is free from defects in materials and workmanship. This warranty does not apply to damage due directly or indirectly to misuse, abuse, negligence or accidents, repairs or alterations outside our facilities, criminal activity, improper installation, normal wear and tear, or to lack of maintenance.

We shall in no event be liable for death, injuries to persons or property, or for incidental, contingent, special or consequential damages arising from the use of our product. Some states do not allow the exclusion or limitation of incidental or consequential damages, so the above limitation of exclusion may not apply to you. THIS WARRANTY IS EXPRESSLY IN LIEU OF ALL OTHER WARRANTIES, EXPRESS OR IMPLIED, INCLUDING THE WARRANTIES OF MERCHANTABILITY AND FITNESS. This warranty gives you specific legal rights, and you may also have other rights, which vary from state to state.

Please contact us at [customerservice@oem-tools.com](mailto:customerservice@oem-tools.com) or call us at 901-370-1101 for additional information or questions.

Thank you for your purchase.

## CONTACT US

3580 E. Raines Road, Suite 3, Memphis, TN 38118  
 Tel: 1-866-458-2472  
[www.oem-tools.com](http://www.oem-tools.com)