

Please read and save these instructions. Read through this owner's manual carefully before using product. Protect yourself and others by observing all safety information, warnings, and cautions. Failure to comply with instructions could result in personal injury and/or damage to product or property. Please retain instructions for future reference.



## HEAT GUN

### FOR CUSTOMER SERVICE

Technical Question?

**CALL 1-866-458-2472**  
**customerservice@oem-tools.com**

### UNPACKING

After unpacking unit, inspect carefully for any damage that may have occurred during transit. Check for loose, missing, or damaged parts. If any damage is observed, a shipping damage claim must be filed with carrier. DO NOT use the OEMTOOLS™ Heat Gun if broken, bent, cracked or damaged parts (including labels) are noted. Any Heat Gun that appears damaged in any way, operates abnormally or is missing parts should be removed from service immediately. If you suspect that the Heat Gun was subjected to shock load (a load that was dropped suddenly, unexpectedly, etc.), immediately discontinue use until it has been checked by a factory authorized service center.



### **⚠ WARNING**

The following safety information is provided as a guideline to help you operate your Heat Gun under the safest possible conditions. Any tool or piece of equipment can be potentially dangerous to use when safety or safe handling instructions are not known or not followed. The following safety instructions are to provide the user with the information necessary for safe use and operation. Please read and retain these instructions for the continued safe use of your service system. Failure to follow instructions listed below may result in serious injury. In addition, make certain that anyone who uses the equipment understands and follows these safety instructions as well.

### Explanation of Safety Signal Words

**⚠ WARNING:** Indicates a potentially hazardous situation which, if not avoided, could result in death or serious injury.

**⚠ CAUTION:** Indicates a potentially hazardous situation which, if not avoided, may result in minor or moderate injury.

**CAUTION:** Used without the safety alert symbol indicates a potentially hazardous situation which, if not avoided, may result in property damage.

**NOTES:** Provide clarity and helpful information.

Thank you very much for choosing an OEMTOOLS™ Product!

For future reference, please register your new tool at [www.oem-tools.com](http://www.oem-tools.com) and complete the owner's record below:

Model: \_\_\_\_\_ Purchase Date: \_\_\_\_\_

Save the receipt, warranty and these instructions. It is important that you read the entire manual to become familiar with this product before you begin using it. This product is designed for certain applications only. OEMTOOLS™ cannot be responsible for issues arising from modification. We strongly recommend this product is not modified and/or used for any application other than that for which it was designed. If you have any questions relative to a particular application, DO NOT use the product until you have first contacted customer service to determine if it can or should be performed on the product.

**⚠ WARNING:** This product can expose you to chemicals, including benzyl violet 4B, which are known to the State of California to cause cancer and birth defects or other reproductive harm. For more information, go to [www.P65Warnings.ca.gov](http://www.P65Warnings.ca.gov).



## HEAT GUN

### POWER TOOL SAFETY

**▲WARNING:** Read and understand all instructions. Failure to follow all instructions listed below may result in electric shock, fire, and/or serious personal injury.

### WORK AREA

1. Keep your work area clean and well lit. Cluttered benches and dark areas invite accidents.
2. DO NOT operate power tools in potentially explosive environments, such as in the presence of flammable liquids, gas, or dust. Power tools create sparks which may ignite the dust or fumes.
3. Keep bystanders, children and visitors away while operating the tool. Distractions can cause you to lose control.

### ELECTRICAL SAFETY

1. Double insulated tools are equipped with a polarized plug (one blade is wider than the other). This plug will fit only one way in a polarized plug.
2. If the plug does not fit fully into the outlet, reverse the plug. If it still does not fit, contact a qualified electrician to install a polarized outlet. DO NOT alter the plug in any way. Double insulation eliminates the need for the three-prong grounded power cord and grounded power supply system.
3. Avoid body contact with grounded surfaces such as pipes, radiators, ranges, and refrigerators. There is increased risk of electric shock if your body is grounded.
4. DO NOT expose power tools to rain or wet conditions. Water entering the power tool will increase the risk of electric shock.
5. DO NOT abuse the cord. Never use the cord to carry the tool or pull the plug from an outlet. Keep cord away from heat, oil, sharp edges, or moving parts. Replace damaged cords immediately. Damaged cords increase the risk of electric shock.
6. When operating a power tool outdoors, use an outdoor extension cord marked "W-A" or "W". These cords are rated for outdoor use and reduce the risk of electric shock.
7. When not in use, disconnect from the power source and store in a safe, dry childproof location.
8. Avoid body contact with grounded surfaces such as pipes, radiators, ranges, and refrigerators.

### PERSONAL SAFETY

1. DO NOT operate power tools in explosive atmospheres, such as in the presence of flammable liquids, gases, or dust. Power tools create sparks which may ignite the dust or fumes.
2. Stay alert, watch what you are doing, and use common sense when operating a power tool. DO NOT use the tool while tired or under the influence of drugs, alcohol

or medication. A moment of inattention while operating power tools may result in serious personal injury.

3. Dress properly. DO NOT wear loose clothing or jewelry.
4. Wear approved safety eye/face shield, ear defenders and hand protection.
5. Contain long hair. Keep your hair, clothing and gloves away from moving parts. Loose clothing, jewelry or long hair can be caught in moving parts.
6. DO NOT disassemble the Heat Gun. Take it to a qualified professional when service or repair is required.
7. DO NOT use this Heat Gun for tasks it is not designed to perform.

**▲WARNING:** To avoid fire or toxic reaction, never use gasoline, naphtha, acetone, lacquer thinner, or similar highly volatile solvents to clean the tool.

### ASSEMBLY AND OPERATION

- Disconnect the plug from the power source before making any adjustments, changing accessories or storing the tool.
- To avoid electrical hazards, fire hazards, or damage to the Heat Gun, use proper circuit protection.
- DO NOT abuse the cord. Never use the cord to carry the tools or pull the plug from an outlet. Keep cord away from heat, oil, sharp edges, or moving parts. Replace damaged cords immediately.

**NOTE:** If air flow is blocked to nozzle, causing overheating, the gun will turn off and come back on when it has cooled. DO NOT leave gun unattended when it has stopped, since it will restart and could cause fire or injury.

### IMPORTANT SAFETY INSTRUCTIONS

The warnings, precautions, and instructions discussed in this manual cannot cover all possible conditions and situations that may occur. The operator must understand that common sense and caution are factors which cannot be built into this product, but must be supplied by the operator.

**▲WARNING:** This product, when used for soldering and similar applications, produces chemicals known to the State of California to cause cancer and birth defects or other reproductive harm.

### TOOL USE AND CARE

1. Use clamps or another practical way to secure and support the workpiece to a stable platform. Holding the work by hand or against your body is unstable and may lead to loss of control.
2. DO NOT force the tool. Use the correct tool for your application. The correct tool will do the job better and safer at the rate for which it was designed.



## HEAT GUN

3. DO NOT use the tool if the power switch does not turn it ON or OFF. Any tool that cannot be controlled with the switch is dangerous and must be repaired.
4. Disconnect the plug from the power source before making any adjustments, changing accessories, or storing the tool. Such preventive safety measures reduce the risk of starting the tool accidentally.
5. Store idle tools out of reach of children and other untrained persons. Tools are dangerous in the hands of untrained users.
6. Maintain tools with care. Keep cutting tools sharp and clean. Properly maintained cutting tools with sharp cutting edges are less likely to bind and are easier to control.
7. Check for misalignment or binding of moving parts, breakage of parts, and any other condition that may affect the tool's operation. If damaged, have the tool serviced before using. Many accidents are caused by poorly maintained tools.
8. Use only accessories that are recommended by the manufacturer for your model. Accessories that may be suitable for one tool may become hazardous when used on another tool.

### DISPOSAL

At the end of the useful life of the OEMTOOLS™ Heat Gun, dispose of the components according to all state, federal, and local regulations.

### PURPOSE

The OEMTOOLS™ Heat Gun is built with power and comfort to get the job done, featuring temperature settings of 482° F (250° C) and 842° F (450° C). The gun is great for a variety of applications, such as: removing paint, heating shrink wrap, thawing pipes, and loosening seized bolts and nuts.

### PRODUCT SPECIFICATIONS

<b>Heating Power:</b>	600 – 1200 Watt
<b>Trigger:</b>	3 Position Rocker Switch for ON/OFF and temperature setting
<b>Motor:</b>	10 Amp
<b>Temperature Range:</b>	482° F / 842° F

**⚠WARNING:** Double-insulated tools are equipped with a polarized plug (one blade is wider than the other). This plug will fit only one way in a polarized plug. If the plug does not fit fully in the outlet, reverse the plug. If it still does not fit, contact a qualified electrician to install a polarized outlet. DO NOT change the plug in any way. Double insulation eliminates the need for the three-wire grounded power cord and grounded power supply system.

**⚠WARNING:** POISON HAZARD: Extreme care must be taken when using a Heat Gun to strip paint. The softened paint, residue and vapors of the paint may contain lead

which is poisonous. Any paint used in the construction industry prior to 1977 may contain lead. Once paint is applied to the surface, hand-to-mouth contact can result in the ingestion of lead. Breathing the vapor resulting from the heating process or dust from a sanding process may also result in the ingestion of lead. Exposure to any amount of lead can cause irreversible damage to the brain and nervous system. Young and unborn children are particularly vulnerable to lead poisoning.

**NOTE:** Before starting any paint removal process, you should determine if the paint you are removing contains lead. Your local health authority or a professional who uses a paint analyzer can determine the level of lead contained in the paint to be removed. Lead-based paint must only be removed by a professional and must not be removed using a Heat Gun.

### SPECIFIC SAFETY RULES

1. Move the workpiece outdoors whenever possible. If this is not practical, keep the work area well ventilated. Open all windows. Place an exhaust fan in one window, making sure it is moving the air from inside the work area to the outdoors.
2. Remove all cooking utensils and food from the work area.
3. Remove all carpets, rugs and furniture from the work area where practical. If removal is not practical, move furniture to the middle of the room and cover them with a plastic drop cloth.
4. Seal off work areas from the rest of the dwelling by sealing off doorways with drop cloths.
5. Cover all air ducts.
6. Place a drop cloth in the work area to catch paint chips or peelings.
7. Wear protective clothing to reduce the amount of exposed skin.
8. Children, pregnant or potentially pregnant women, and nursing mothers should not be present in the work area until the work and cleanup have been completed.
9. Use a respirator mask for dust and fumes which has been approved by "OSHA" or "NIOSH". These masks and replaceable filters are available at most major hardware stores. Make sure the mask fits properly. Beards and facial hair may prevent the mask from fitting properly. Change filters often. Disposable paper dust masks are NOT adequate for protecting against inhaling lead fumes.
10. Keep the Heat Gun moving while heating the paint. Excessive heat will generate increased amounts of fumes which can be inhaled by the operator.
11. Keep food and drinks out of the work area. Always wash hands, arms, and face, and rinse mouth with water before eating or drinking. Never smoke or chew gum or tobacco in the work area.



## HEAT GUN

12. When the paint stripping operation is completed, clean up all removed paint and dust by wet mopping the floors. DO NOT sweep or vacuum dusty areas. Use a solution of trisodium phosphate (TSP) in water to wet mop the floors and clean all walls, sills, and any other surface where paint dust has settled.
13. Use protective gloves to protect your hands from burns.
14. Use extreme caution if the opposite side of the work surface (such as siding) is not accessible. The hidden side could catch fire if it becomes too hot. Some buildings contain flammable material behind the siding, floors, fascia, soffit boards, and other such panels. Check these areas before applying heat. DO NOT use the Heat Gun if flammable materials are present or if you are unsure of the flammability of the hidden material.
15. DO NOT use the Heat Gun near surfaces with cracks or near metal pipes, flashings, etc. Heat may be conducted behind the work surface and ignite hidden material. The ignition of hidden material may not be readily apparent and can cause property damage and injury.
16. At the end of each work session, place the paint chips and dust in a double plastic bag. Close the bag with a twist tie and dispose of it in accordance with local regulations.
17. Remove protective clothing and shoes in the work area to avoid transferring dust into other areas of the building. Wash work clothes separately using a high-quality detergent. Wipe shoes off with wet rag and then wash the rag with the work clothes or dispose of it in the bag of dust and debris.
18. DO NOT use the Heat Gun in the presence of flammable liquids or gases.
19. DO NOT use the Heat Gun near combustible materials such as dry grass, leaves, or paper, which can catch fire.
20. DO NOT lay the Heat Gun on a flammable surface during operation or immediately after turning it OFF. The nozzle becomes very hot. Always set the Heat Gun on a flat level surface so the nozzle is directed upward and away from the supporting surface.
21. Keep the Heat Gun in constant motion. DO NOT stop or dwell in one spot.
22. Never touch the nozzle immediately after use. It will be very hot and can cause severe burns.
23. Never use the Heat Gun as a hair dryer. The extreme heat will burn your scalp and scorch your hair.
24. Always use gloves while operating the Heat Gun. Tools and scrapings become very hot.
25. Always treat the Heat Gun with the same respect as an open flame. It can burn you and cause a fire if not handled and used with extreme caution.

### **▲WARNING:**

#### **EXPLOSION OR FIRE HAZARD:**

This Heat Gun produces extremely high temperatures which can reach up to 842° F (450° C). Use extreme caution to prevent combustible materials from igniting. Never use the Heat Gun near volatile liquids, such as cleaning solvents, lacquers, gasoline, etc.

Never operate the Heat Gun if the blower motor does not turn ON. Turn the Heat Gun OFF immediately. Operating the Heat Gun without the blower motor running will burn the element out.

#### **EXTENSION CORD SAFETY**

### **▲WARNING:**

1. Keep the extension cord clear of the work area. Position the cord so that it will not get caught on the workpiece, a tool, or any other obstruction while the power tool is in use.
2. If an extension cord is used with this Heat Gun, verify that it is in good condition. When using an extension cord, be sure to use one that is heavy enough to carry the current that the tool will draw. An undersized cord will cause a drop in the line voltage, which will result in a loss of power and overheating.
3. The below table shows the correct size to use according to cord length and the amperage rating that is listed on the tool's nameplate.
4. When in doubt, use the next heavier gauge. The smaller the gauge number, the heavier the cord. Verify that the extension cord is properly wired and in good condition. Replace a damaged extension cord immediately, or have it repaired by a qualified electrician before using it. Keep the extension cord away from sharp objects, excessive heat, and damp or wet areas.



# HEAT GUN

- Use a separate electrical circuit for power tools. This circuit must consist of not less than 14-gauge wire and should be protected by either a 15 Amp time-delayed fuse or a circuit breaker. Before connecting the power tool to the outlet, verify that the switch is in the OFF position and that the voltage of the power source is the same as the voltage that is indicated on the tool's nameplate. Running this Heat Gun at lower voltage will damage the motor.

MINIMUM GAUGE (AWG) EXTENSION CORDS (120 V use only)					
Amperage rating		Total length			
More than	Not more than	25' (7.5 m)	50' (15 m)	100' (30 m)	150' (45 m)
0	6	18	16	16	14
6	10	18	16	14	12
10	12	16	16	14	12
12	16	14	12	Not applicable	

## HEAT GUN APPLICATIONS

The Heat Gun is a tool that can be used for many different applications. As with any power tool, there are many factors that will impact its effectiveness and level of safety. It is important to be aware of these factors before you begin to use the tool. The chart at right illustrates examples of several Heat Gun applications and the ideal temperature settings.

Heating applications are affected by several factors. The density of the material being heated, ambient temperature, wind, distance between the nozzle and the surface being heated, and the heating technique will affect the speed at which the surface will be heated. It is always safer to start heating the surface with the Heat Gun temperature set to LOW. Using the chart on this page, increase the temperature setting to HIGH for those applications requiring additional heat.

During the heating process, it is very important to maintain a consistent distance between the nozzle and the surface being heated.

**NOTE:** The nozzle must be at least 2" (25 mm) from the surface being heated to permit adequate air flow and to prevent overheating.

Always keep the Heat Gun in motion during the heating process. Inadequate motion will result in overheating and possible damage to the surface or to the Heat Gun.

Application	Temp. Setting
Removing adhesive backed floor coverings	Low
Removing paint	High
Drying paint or plaster	Low
Heating electrical shrink tube	Low
Heating shrink wrap	Low
Thawing frozen locks	Low
Thawing frozen metal water pipes	High
Loosening seized bolts & nuts	High
Molding and bending plastics	Low
Waxing skis & snowboards	Low
Sealing ends of nylon or polypropylene rope	Low

**WARNING:** Every time you use the Heat Gun, you should verify the following:

- The nozzle is not obstructed with debris.
- Appropriate safety glasses, respirator mask, and protective clothing are being worn.
- Area adjacent to the heating application is clear of all combustible materials.
- Availability of water or fire extinguisher in case of a fire.

## 3 POSITION TRIGGER SWITCH

The Heat Gun has a 3-position trigger switch that acts as both an ON/OFF switch and a temperature selector switch (Fig. 1).

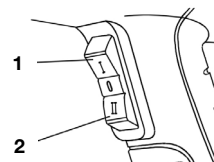


Fig. 1

To turn the Heat Gun ON at the lower temperature (250° C or 482° F), squeeze the upper part of the switch (1). To turn the Heat Gun OFF from the lower temperature setting, squeeze the lower part of the switch (2) half way until it clicks into the OFF position and the Heat Gun turns OFF.

To turn the Heat Gun ON at the higher temperature (450° C or 842° F), squeeze the lower part of the switch (2). To turn the Heat Gun OFF from the higher temperature setting, squeeze the upper part of the switch (1) half way until it clicks into the OFF position and the Heat Gun turns OFF.

**NOTE:** When the switch is set to the lower temperature setting, the motor speed will be slower and there will be a reduced flow of hot air through the nozzle. The temperature of the air will also be reduced to 482° F (250° C). When the switch is set to the higher temperature setting, the motor speed will be higher and there will be an increased flow of hot air through the nozzle. The temperature of the air will also be increased to 842° F (450° C).

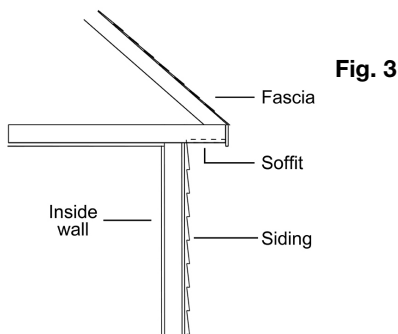


# HEAT GUN

**NOTE:** When the Heat Gun is first turned ON, smoke may appear due to the burning of manufacturing oils on the element. The smoke will disappear within five minutes of operation.

## STRIPPING PAINT FROM DWELLING

The most common application for the Heat Gun is in stripping paint from fascia, soffit, and siding of a dwelling (Fig. 2). Although the Heat Gun will work extremely well in this application, it is important to take specific precautions and prevent potentially serious mistakes.



**⚠WARNING:** Use extreme caution if the opposite side of the work surface (such as siding) is not accessible. The hidden side could catch fire if it becomes too hot. Some buildings contain flammable material behind siding, floors, fascia, soffit boards, and other such panels. Check these areas before applying heat. DO NOT use the Heat Gun if flammable materials are present or if you are unsure of the flammability of the hidden material.

DO NOT use the Heat Gun on surfaces that can be damaged by heat, such as vinyl siding, vinyl coated siding or vinyl window frames.

DO NOT use the Heat Gun on any glass surface such as windows. The rapid expansion may break the glass or damage the seal in thermo pane windows.

The Heat Gun will soften putty in window frames. Be careful not to gouge the soft putty with the scraper. The putty will firm up as it cools.

When removing paint from the fascia, do not overheat the edge of the shingles. Too much heat will melt the shingles.

## PAINT STRIPPING PROCESS

**⚠WARNING:** Never touch the Heat Gun nozzle during use or soon after use. It becomes very hot and will cause severe burns. Wear gloves to protect your hands from hot paint scrapings.

When turned ON, the Heat Gun will heat the paint causing it to soften so it can be easily scraped off without damaging the surface. Some paints may soften when heated even though they show no signs of blistering. Some paints will blister when heated, while others may become rubbery. Some paints will require more heat than others to soften them sufficiently for easy removal.

**NOTE:** Paint that has been absorbed into the wood will not be removed with the Heat Gun.

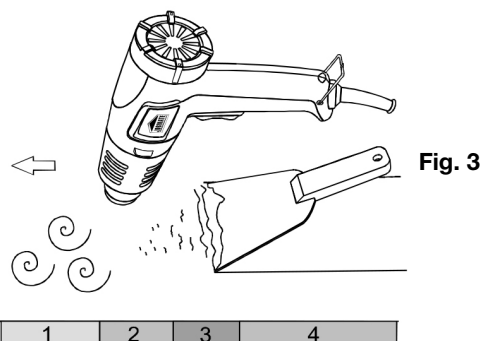
When working with several layers of paint, completely heating the surface all the way to the wood will speed up the scraping process. This will allow all layers of paint to be scraped at one time.

Use a soft wire brush to remove paint from very intricate surfaces. Mineral paints and finishes such as cement paint and porcelain do not soften when heated, so they cannot be removed using a Heat Gun.

For best paint removal results, move the gun slowly and steadily forward at an angle to the surface to be stripped. This allows you to safely scrape behind the hot air stream and keeps the scraper and scraped surface cooler. Holding the Heat Gun at an angle also preheats the paint as you scrape.

The chart below explains the four zones for the paint removal process (Fig. 3).

Zone	Description
1	Warm air preheats the paint
2	Hot air softens the paint
1 + 2	Heat penetrates complete area
3	Paint can be easily scraped off as soon as it is softened and the Heat Gun is moved forward
4	Stripped surface is allowed to cool



**⚠WARNING:** When servicing, use only identical replacement parts. Use of any other part may create a hazard or cause product damage.

DO NOT abuse power tools. Abusive practices can damage the tool as well as the workpiece.

## ⚠WARNING:

DO NOT attempt to modify tools or create accessories. Any such alteration or modification is misuse and could result in a hazardous condition leading to possible serious injury. It will also void the warranty.

## CLEANING

Keep air vents clean and unobstructed to allow maximum airflow through the Heat Gun.



# HEAT GUN

DO NOT use solvents when cleaning plastic parts. Most plastics are susceptible to damage from various types of commercial solvents and may be damaged by their use. Use a clean cloth dampened with a mild detergent to remove dirt, dust, oil, grease, etc.



This symbol designates that this tool is listed with U.S. requirements by MET Laboratories, Inc. UL499, CSA C22.2 No.64

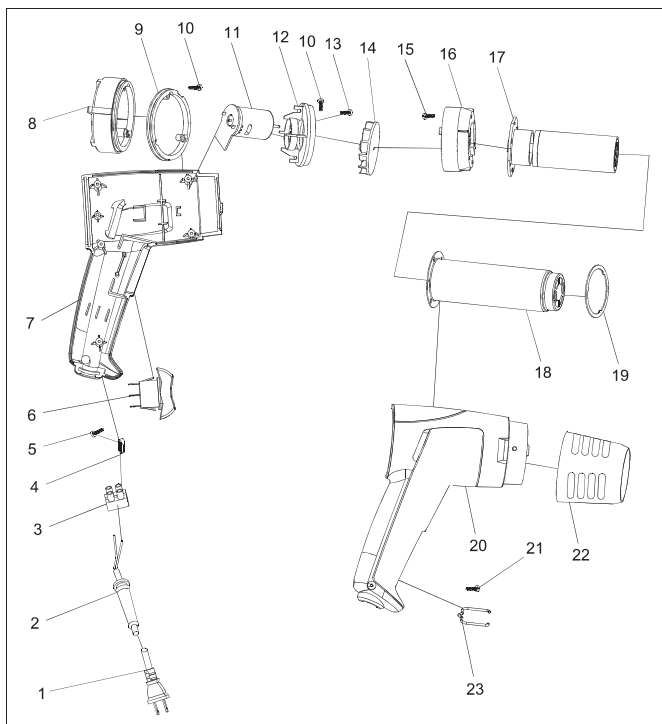
### ▲WARNING:

DO NOT at any time allow brake fluids, gasoline, petroleum-based products, penetrating oils, etc. to come in contact with plastic parts. They contain chemicals that can damage, weaken or destroy plastic.

### LUBRICATION

All of the bearings in this Heat Gun are lubricated with a sufficient amount of high-grade lubricant for the life of the unit under normal conditions. Therefore, no further lubrication is required.

### PARTS DIAGRAM



### PARTS LIST

Item#	Description	Qty.
1	Cord	1
2	Cord Guard	1
3	Connection Pole	1
4	Cord Clamp	1
5	Screw ST3.9 x 14	2
6	Switch	1
7	Left Housing	1
8	Back Housing	1
9	Peg Plank	1
10	Screw ST2.9 x 12	5
11	Motor	1
12	Motor Board	1
13	Screw M2.5 x 5	2
14	Fan	1
15	Screw ST2.9 x 9	3
16	Air Deflector	1
17	Chinaware	1
18	Wind Duct	1
19	Orientation Ring	1
20	Right Housing	1
21	Screw ST3.9 x 19	5
22	Guard	1
23	Hang Loop	1

**NOTE:** Not all components of the Heat Gun are replacement items but are illustrated as a convenient reference for location and position in the assembly sequence.



## HEAT GUN

### **OEMTOOLS™ One Year Warranty**

For up to one year from the date of purchase of this OEMTOOLS™ product, if you find any defect in material or workmanship (through normal usage), return it to the place of purchase or to OEMTOOLS™ for repair or replacement at our discretion. In order to obtain this service, send the product and proof of purchase (transportation pre-paid) to:

OEMTOOLS™ Q.A. Dept, 3580 E. Raines Road #3, Memphis, TN 38118.

We will not be responsible for lost or damaged goods during transportation; please insure your package. If our inspection verifies the defect, we will either repair or replace the product, or we may elect to refund the purchase price if we cannot readily and quickly provide you with a replacement. We will return repaired products at our expense, but if we determine there is no defect, or that the defect resulted from causes not within the scope of our warranty, then you must bear the cost of returning the product.

OEMTOOLS™ does not provide warranty for products labeled other than OEM® or OEMTOOLS™. OEMTOOLS™ will not provide any warranty for products subjected to abnormal use. Abnormal use includes (but is not limited to) abuse, accident, alteration, neglect, and unauthorized or unreasonable use or repairs. This warranty does not cover bits, blades, files, batteries, or calibration. We recommend that you maintain your tools and sharpen or replace blades, bits, files, and batteries as necessary. OEMTOOLS™ reserves the right to make any changes in construction or design at any time without any obligation in incorporating such changes to tools or equipment previously sold. OEMTOOLS™ makes every effort to ensure that its products meet high quality and durability standards, and warrants to the original purchaser that this product is free from defects in materials and workmanship for the period of one year from the date of purchase. This warranty does not apply to damage due directly or indirectly to misuse, abuse, negligence or accidents, repairs or alterations outside our facilities, criminal activity, improper installation, normal wear and tear, or to lack of maintenance.

We shall in no event be liable for death, injuries to persons or property, or for incidental, contingent, special or consequential damages arising from the use of our product. Some states do not allow the exclusion or limitation of incidental or consequential damages, so the above limitation of exclusion may not apply to you. THIS WARRANTY IS EXPRESSLY IN LIEU OF ALL OTHER WARRANTIES, EXPRESS OR IMPLIED, INCLUDING THE WARRANTIES OF MERCHANTABILITY AND FITNESS. This warranty gives you specific legal rights, and you may also have other rights, which vary from state to state.

Don't forget to register your new OEMTOOLS™ product at [www.oem-tools.com](http://www.oem-tools.com).

## CONTACT US

3580 E. Raines Road, Suite 3, Memphis, TN 38118  
Tel: 1-866-458-2472  
[www.oem-tools.com](http://www.oem-tools.com)