

Please read and save these instructions. Read through this owner's manual carefully before using product. Protect yourself and others by observing all safety information, warnings, and cautions. Failure to comply with instructions could result in personal injury and/or damage to product or property. Please retain instructions for future reference.



20V MAX* LI-ION JIG SAW

FOR CUSTOMER SERVICE

Technical Question?

CALL 1-866-458-2472
customerservice@oem-tools.com

UNPACKING

After unpacking the unit, inspect carefully for any damage that may have occurred during transit. Check for loose, missing, or damaged parts. If any damage is observed, a shipping damage claim must be filed with the carrier. DO NOT use the OEMTOOLS® 24489 20V MAX* Li-ion Jig Saw if broken, bent, cracked or damaged parts (including labels) are noted. Any Jig Saw that appears damaged in any way, operates abnormally or is missing parts should be removed from service immediately. If you suspect that the Jig Saw was subjected to shock load (a load that was dropped suddenly, unexpectedly, etc.) immediately discontinue use until it has been checked by a factory authorized service center.

*Voltage is measured without workload. Maximum initial battery voltage after charging. Nominal voltage is 18 Volts.



⚠ WARNING

The following safety information is provided as a guideline to help you operate your Jig Saw under the safest possible conditions. Any tool or piece of equipment can be potentially dangerous to use when safety or safe handling instructions are not known or not followed. The following safety instructions are to provide the user with the information necessary for safe use and operation. Please read and retain these instructions for the continued safe use of your Jig Saw. Failure to follow instructions listed below may result in serious injury. In addition, make sure that anyone who uses the equipment understands and follows these safety instructions as well.

Explanation of Safety Signal Words

⚠ WARNING: Indicates a potentially hazardous situation which, if not avoided, could result in death or serious injury.

⚠ CAUTION: Indicates a potentially hazardous situation which, if not avoided, may result in minor or moderate injury.

CAUTION: Used without the safety alert symbol indicates a potentially hazardous situation which, if not avoided, may result in property damage.

NOTES: Provide clarity and helpful information.

Thank you very much for choosing an OEMTOOLS® Product!

For future reference, please register your new tool at www.oem-tools.com and complete the owner's record below:

Model: _____ **Purchase Date:** _____

Save the receipt, warranty and these instructions. It is important that you read the entire manual to become familiar with this product before you begin using it. This product is designed for certain applications only. OEMTOOLS® cannot be responsible for issues arising from modification. We strongly recommend that this product is not modified and/or used for any application other than that for which it was designed. If you have any questions relative to a particular application, DO NOT use the product until you have first contacted customer service to determine if it can or should be performed on the product.

⚠ WARNING: This product can expose you to chemicals which are known to the State of California to cause cancer and birth defects or other reproductive harm. For more information go to www.P65Warnings.ca.gov.



20V MAX* LI-ION JIG SAW

POWER TOOL SAFETY

WARNING

Read and understand all safety warnings and instructions. Failure to follow the warnings and instructions may result in electric shock, fire and/or serious injury.

Save all warnings and instructions for future reference.

WORK AREA SAFETY

1. Keep work area clean and well lit. Cluttered or dark areas invite accidents.
2. DO NOT operate power tools in explosive atmospheres, such as in the presence of flammable liquids, gases or dust. Power tools create sparks which may ignite the dust or fumes.
3. Keep children and bystanders away while operating a power tool. Distractions can cause you to lose control.

ELECTRICAL SAFETY

1. Power tool plugs must match the outlet. Never modify the plug in any way. DO NOT use any adapter plugs with earthed (grounded) power tools. Unmodified plugs and matching outlets will reduce risk of electric shock.
2. Avoid body contact with earthed or grounded surfaces such as pipes, radiators, ranges and refrigerators. There is an increased risk of electric shock if your body is earthed or grounded.
3. DO NOT expose power tools to rain or wet conditions. Water entering a power tool will increase the risk of electric shock.
4. DO NOT abuse the cord. Never use the cord for carrying, pulling or unplugging the power tool. Keep cord away from heat, oil, sharp edges or moving parts. Damaged or entangled cords increase the risk of electric shock.
5. When operating a power tool outdoors, use an extension cord suitable for outdoor use. Use of a cord suitable for outdoor use reduces the risk of electric shock.
6. If operating a power tool in a damp location is unavoidable, use a residual current device (RCD) protected supply. Use of a ground fault circuit interrupter (GFCI) reduces the risk of electric shock.

PERSONAL SAFETY

1. Stay alert, watch what you are doing and use common sense when operating a power tool. DO NOT use a power tool while you are tired or under the influence of drugs, alcohol or medication. A moment of inattention while operating power tools may result in serious personal injury.
2. Use personal protective equipment. Always wear eye protection. Protective equipment such as dust mask, non-skid safety shoes, hard hat, or hearing protection used for appropriate conditions will reduce personal injuries.
3. Prevent unintentional starting. Ensure the switch is in the off-position before connecting to power source and/or battery pack, picking up or carrying the tool. Carrying power tools with your finger on the switch or energizing power tools that have the switch on invites accidents.
4. Remove any adjusting key or wrench before turning the power tool on. A wrench or a key left attached to a rotating part of the power tool may result in personal injury.
5. DO NOT overreach. Keep proper footing and balance at all times. This enables better control of the power tool in unexpected situations.
6. Dress properly. DO NOT wear loose clothing or jewelry. Keep your hair, clothing and gloves away from moving parts. Loose clothes, jewelry or long hair can be caught in moving parts.

7. If devices are provided for the connection of dust extraction and collection facilities, ensure these are connected and properly used. Use of dust collection can reduce dust related hazards.

POWER TOOL SAFETY

1. DO NOT force the power tool. Use the correct power tool for your application. The correct power tool will do the job better and safer at the rate for which it was designed.
2. DO NOT use the power tool if the switch does not turn it on and off. Any power tool that cannot be controlled with the switch is dangerous and must be repaired.
3. Disconnect the plug from the power source and/or the battery pack from the power tool before making any adjustments, changing accessories, or storing power tools. Such preventive safety measures reduce the risk of starting the power tool accidentally.
4. Store idle power tools out of the reach of children and do not allow persons unfamiliar with the power tool or these instructions to operate the power tool. Power tools are dangerous in the hands of untrained users.
5. Maintain power tools. Check for misalignment or binding of moving parts, breakage of parts and any other condition that may affect the power tool's operation. If damaged, have the power tool repaired before use. Many accidents are caused by poorly maintained power tools.
6. Keep cutting tools sharp and clean. Properly maintained cutting tools with sharp cutting edges are less likely to bind and are easier to control.
7. Use the power tool, accessories and tool bits etc. in accordance with these instructions, taking into account the working conditions and the work to be performed. Use of the power tool for operations different from those intended could result in a hazardous situation.
8. Hold the power tool by insulated gripping surfaces when performing an operation where the cutting tool may contact hidden wiring or its own cord. Contact with a "live" wire will make exposed metal parts of the tool "live" and shock the operator.
9. Use clamps or other practical ways to secure and support the workpiece to a stable platform. Holding the workpiece by hand or against your body leaves it unstable and may lead to loss of control.

BATTERY TOOL USE AND CARE

1. Recharge only with the charger specified by the manufacturer. A charger that is suitable for one type of battery pack may create a risk of fire when used with another battery pack.
2. Use power tools only with specifically designated battery packs. Use of any other battery packs may create a risk of injury and fire.
3. When the battery pack is not in use, keep it away from other metal objects, like paper clips, coins, keys, nails, screws or other small metal objects that can make a connection from one terminal to another. Shorting the battery terminals together may cause burns or a fire.
4. Under abusive conditions, liquid may be ejected from the battery; avoid contact. If contact accidentally occurs, flush with water. If liquid contacts eyes, additionally seek medical help. Liquid ejected from the battery may cause irritation or burns.



20V MAX* LI-ION JIG SAW

SERVICE

Have your power tool serviced by a qualified repair person using only identical replacement parts. This will ensure that the safety of the power tool is maintained.

SPECIFIC SAFETY RULES

WARNING

1. Know your jig saw. DO NOT plug the charger into the power source or install the battery in the tool until you have read and understand this Instruction Manual. Learn the tool's applications and limitations, as well as the specific potential hazards related to this tool. Following this rule will reduce the risk of electric shock, fire, or serious injury.
2. Always wear eye protection. Any power tool can throw foreign objects into your eyes and cause permanent eye damage. ALWAYS wear safety goggles (not glasses) that comply with ANSI safety standard Z87.1. Everyday glasses have only impact resistant lenses. They ARE NOT safety glasses.
3. Glasses or goggles not in compliance with ANSI Z87.1 could cause serious injury when they break.
4. Always keep hands out of the path of the saw blade. Avoid awkward hand positions where a sudden slip could cause your hand to move into the path of the saw blade.
5. Keep hands away from the cutting area and the blade. Keep your second hand on the tool. If both hands are holding the saw, they cannot be cut by the blade.
6. Hold the tool by insulated gripping surfaces when performing an operation where the saw blade may contact hidden wiring or its own cord. Contact with a "live" wire will make exposed metal parts of the tool "live" and shock the operator.
7. Always make sure the work surface is free of nails and other foreign objects. Cutting into a nail can cause the blade and the tool to jump and damage the blade.
8. Never hold the workpiece in one hand and the tool in the other hand when sawing.
9. Never place your hands near or below the cutting surface. Clamping the material and guiding the tool with both hands is much safer.
10. Never lay the workpiece on hard surfaces like concrete, stone etc. The protruding blade may cause the tool to jump.

WARNING

Always remove the battery when changing the blade and when making adjustments.

11. Use only "U" or "T" shank blades that are designed specifically for jigsaw use. Never use a broken blade, as it will not be securely held in the tool.
12. After changing a blade, make sure the blade is securely held in the blade holder. Loose blades will be violently thrown.
13. Never touch the blade during or immediately after use. After use, the blade is too hot to be touched by bare hands.
14. Never use dull or damaged blades. Sharp blades must be handled with care. Damaged blades can snap during use. Dull blades require more force to cut the workpiece, possibly causing the blade to break.
15. Always use the straight reciprocating action when cutting metal. Blades will last longer and will be less.

IMPORTANT SAFETY INSTRUCTIONS

The warnings, precautions, and instructions discussed in this manual cannot cover all possible conditions and situations that may occur. The operator must understand that common sense and caution are factors which cannot be built into this product, but must be supplied by the operator.

WARNING

Use only attachments recommended or sold by manufacturer.

1. DO NOT disassemble the saw. Take it to a qualified professional when service or repair is required. Incorrect reassembly may result in electric shock or fire.
2. Wear approved safety eye/face shield, ear defenders and hand protection.

DISPOSAL

At the end of the useful life of the OEMTOOLS® 20V MAX* Li-ion Jig Saw, dispose of the components according to all state, federal and local regulations.

BATTERY DISPOSAL

Exposure to high temperatures can cause the batteries to explode; do not dispose of in a fire. Some countries have regulations concerning battery disposal. Follow all applicable regulations. Return used batteries to a collection location for recycling. Call 800-822-8837 or visit www.call2recycle.org to find a collection location.

PURPOSE

The OEMTOOLS® 20V MAX* Li-ion Jig Saw features a variable speed motor that delivers 2,500 SPM for best performance on various applications. This saw can make bevel cuts of up to 45 degrees and the 3-position orbital operation allows for aggressive cutting whether you are cutting wood, metal or plastic.

PRODUCT SPECIFICATIONS

Voltage:	20V MAX*
Variable Speed:	0 – 2,500 SPM
Bevel Capacity:	45 degrees
Orbital Positions:	3
Stroke Length:	3/4"
Keyless Blade Clamp:	Yes
Dust Chute:	Yes
Battery:	2.5Ah Li-ion
Charge Time:	1 Hr.
Weight:	6.39 Lb.



20V MAX* LI-ION JIG SAW

INSTRUCTIONS

Always wear safety goggles and gloves.

INSTALLING A BLADE

WARNING

Always remove the battery before installing or removing a blade or adjusting the jigsaw in any way.

Selecting the correct type of blade is important in order to obtain the best performance from the saw. Select the blade based on the application and on the material you wish to cut. Selecting the right blade will give you a smoother, faster cut and prolong the life of the blade. The tool-less blade changing system eliminates the need for tools when installing or changing a blade.

NOTE: Before attaching a blade please ensure that the battery is not connected to the jigsaw.

- To fit the blade, push the quick change blade clamp lever until it stops.
- Holding the blade clamp lever in the open position, insert the saw blade as far as possible into the slot in the saw bar.
- Check to make sure the back of the saw blade is centered in the groove of the roller guide.
- Release the blade clamp lever. Make sure the blade is securely in place.

NOTE: During use periodically check the security of the blade.

ANGLE CUTTING (BEVEL CUTTING)

To set the cutting angle to one of the preset angles 15, 30 or 45 degrees.

- Loosen the two hexagon screws located on the underside of the machine using the hexagon key provided.
- Slightly raise the base until the base can be moved to one of the present cutting angles shown on the angle scale. Finally re-tighten the hex screws.

ORBITAL MOTION

The blade of the jigsaw cuts in an orbital motion. This feature is adjustable and provides faster, more efficient cutting. With orbital motion the blade cuts through your work in the upstroke but does not drag across your work in the down stroke. The higher settings should be used when fast cutting in soft material is desired. The lower setting should be used when cutting materials with more resistance. The '0' setting shuts off the orbital motion. Setting '3' offers the maximum orbital motion.

LED WORKLIGHT

CAUTION

DO NOT look in the light or see the source of light directly. Pull the On/Off trigger to light up the LED light.

The LED light will remain on while the trigger is being pulled.

The LED light goes off automatically once the tool trigger is released.

VARIABLE SPEED CONTROL

Simply apply light pressure to the On/Off trigger to start the jigsaw on a slow speed. Increasing the pressure on the trigger will increase the speed of the jigsaw.

NOTE: You may hear a high pitched noise from the On/Off trigger during use. Do not be concerned, this is a normal part of the trigger function.

TRIGGER SWITCH AND LOCK-OFF BUTTON

To turn the jigsaw ON, depress the lock-off safety button and then depress the On/Off trigger. Release the On/Off trigger to turn the jigsaw off.

FORWARD/REAR AIR OUTLET

The forward air outlet can be used to either blow debris from the blade during operation or send the air to the dust extraction outlet. To select air to be blown towards the blade, slide the switch to the right. To select air to be blown towards the dust extraction outlet, slide the switch to the left.

MATERIALS YOU CAN CUT

This jigsaw is a versatile tool that allows you to cut many different types of materials. Some of these materials include:

- Wood products such as lumber, hardwood, plywood, composite board, and panelling
- Drywall
- Fibre board and plastic
- Metals such as pipe, steel rods, sheet steel, aluminum, brass, and copper.

NOTE: There are many different types of blades available. Generally, there are metal cutting blades (fine teeth) and wood cutting blades (coarse teeth). Use the correct blade for your application. The packaging on the blade will indicate the type of materials each blade is designed to cut.

GENERAL CUTTING

- Clearly mark the workpiece to locate the position of the cut.
- Hold smaller workpieces with a vise. Clamp larger workpieces to a workbench or table.

WARNING

Any workpiece that is not adequately clamped in place may come loose and cause serious injury. Never hold the workpiece with your hand.

WARNING

Keep hands and fingers away from between the motor housing and blade holder. DO NOT reach underneath workpiece while jigsaw is running.

- Rest the front of the jigsaw base on the workpiece and align cutting edge of the blade with the cutting line on your workpiece. Make sure the power cord is out of your way and not in the path the blade will follow.
- While firmly gripping the jigsaw, and with the blade NOT in contact with the surface to be cut, start the jigsaw by pressing the lock-off button and squeezing the trigger switch.
- Once the jigsaw has reached the desired speed, gradually bring the moving blade into contact with the workpiece at the appropriate location.



20V MAX* LI-ION JIG SAW

NOTE: Apply enough downward pressure to keep the jigsaw steady and only enough forward pressure to keep the blade cutting freely.

⚠ CAUTION

DO NOT force the jigsaw. Use only enough force to keep the blade cutting. Excessive pressure on the blade will cause it to bend and twist, which may result in breaking the blade.

PLUNGE CUTTING

⚠ WARNING

To avoid loss of control, broken blades or damage to the workpiece, always use extreme caution when making plunge cuts. It is not recommended to plunge cut any material other than wood. Wherever possible, drill a pilot hole 3/8" (9.5 mm) or larger in the area to be cut out and start cutting with the blade in the pilot hole. This will avoid the need to plunge cut.

NOTE: Use only blades with 7 teeth per inch for plunge cutting.

1. To plunge cut an inside hole, clearly mark the cutting line on the workpiece.
2. Set the bevel angle at 0°, and then lock the base plate.
3. Tilt the jigsaw forward so it rests on the front edge of the base plate and in a position where the blade will NOT touch the workpiece when the switch is turned ON.

NOTE: Make sure the saw blade is inside the area to be cut.

4. Start the jigsaw and slowly lower the blade onto the workpiece while making sure the front of the saw base remains in contact with the workpiece. Allow the blade to slowly cut through the wood.
5. Continue lowering the blade into the workpiece until the jigsaw base rests flat on the workpiece. Continue sawing toward the cutting line and complete the cut as required.

METAL CUTTING

Many types of metal can be cut with your jigsaw. When cutting any kind of material, be careful not to twist or bend the blades. DO NOT force the blade. If the blade chatters or vibrates excessively, use a finer toothed blade. If the blade heats excessively, reduce the speed of cutting. If the blade teeth become clogged when cutting soft metals, such as aluminum, use a coarser blade with fewer teeth per inch. Use kerosene when cutting soft metals and oil when cutting steel to keep the blade cool and to extend the blade life. Clamp all work firmly and jigsaw as close as possible to the clamping point to eliminate any vibration of the work being cut.

When cutting conduit, pipe or angle iron, clamp work in a vise if possible and saw close to the vise. To cut thin sheet materials, "sandwich" the material between hardboard or plywood and clamp the layers to eliminate material vibration and tearing. By doing this, the material will be cut smoothly. Lay out your pattern or cutting lines on top of the "sandwich".

⚠ WARNING

Always charge the battery pack indoors in a well-ventilated area. The charger must never be subjected to wet conditions.

⚠ ELECTRICAL WARNING

POWER SOURCE CONNECTION POWER REQUIREMENTS

This product is designed to operate on a properly grounded 120 volt, 60Hz, single-phase alternating current (AC) power source fused with a time delayed fuse or circuit breaker. It is recommended that a qualified electrician verify the ACTUAL VOLTAGE at the receptacle into which the product will be plugged and confirm that the receptacle is properly fused and grounded.

DO NOT OPERATE THIS PRODUCT if the ACTUAL power source voltage is less than 105 Volts AC or greater than 132 Volts AC. Contact a qualified electrician if this problem exists. Improper performance and/or damage to the product will result if operated on inadequate or excessive power.

DO NOT abuse cord. Never use the cord to carry tools or pull the plug from an outlet. Keep cord away from heat, sharp edges or moving parts. Replace damaged cords immediately. Damaged cords increase the risk of electric shock.

CHARGING THE BATTERY PACK:

6. Place the charger in a dry location near a 120V/60Hz electrical outlet.
7. Plug the charger into the electrical outlet.
8. The green LED light will turn on.
9. Turn the battery pack upside down and slide it onto the charger.
10. The green LED light will turn off and the red LED light will begin to flash indicating the battery pack is charging.
11. The red LED light will turn off and the green LED light will turn on when fully charged.
12. Once the battery pack is fully charged, remove the charger plug from the power source and remove the battery pack from the charger.

NOTE: DO NOT charge batteries when the work area or the battery temperature is at or below 32°F (0°C) or above 113°F (45°C).

Green Light	Red Light	Battery on the Charger	Charging Status
ON	OFF	NO	Charger connected to power supply
OFF	FLASHING	YES	Battery charging
ON	OFF	YES	Battery fully charged
OFF	ON	YES	Battery defective or bad contact
ON	ON	YES	Battery too hot or too cold to be charged



This symbol designates that this tool is listed with U.S. requirements by TUV Rheinland. Conforms to UL Std.62841-1 and 62841-2-2.



20V MAX* LI-ION JIG SAW

PARTS LIST

Figure	Description	Qty.
A	Switch Lock Lever	1
B	Switch	1
C	Screw	1
D	Cooling Block	1
E	Electrode Plate	1
F	Dust	1
G	Switch Lock Lever Spring	1
H	Suction Blowing Aisle	1
I	Fixed Plate	1
J	Lifting Blade Board	1
K	Fixed Seat	1
L	Deep Groove Ball Bearing	1
M	Motor Gear	1
N	Wind Leaf	1
O	Connection Shaft	1
P	Motor Flange	1
Q	Motor	1
R	Alignment Plate	1
S	Shaft with Flexible Circle	1
T	Gasket	1
U	Lift Knife Knob Shaft	1
V	Suction Blowing Button	1
W	Lifting Knife Knob Shaft Spring	1
X	Lifting Knife Knob	1
Y	Steel Ball	1
Z	Protective Wire	1
AA	Needle Roller	1

Figure	Description	Qty.
BB	Saw Care	1
CC	Rubber Mat	2
DD	Rear Bearing	1
EE	Spring	1
FF	Front Bearing	1
GG	Baffle Holder	1
HH	Reciprocating Rod	1
II	Reciprocating Lever Roller	1
JJ	Shaft Needle with Flexible Circle	1
KK	Needle Roller Bearings	1
LL	Gear	1
MM	Balance Block	1
NN	Oil Block	1
OO	Flat Washer	2
PP	Screw	2
QQ	Screw	2
RR	Screw	2
SS	Housing	1
TT	Bottom Plate	1
UU	Locking Screw	2
VV	Spring	1
WW	Connection Plate	1
XX	Screw	2
YY	Screw	10
ZZ	Needle Roller	3
AAA	Needle Roller	1

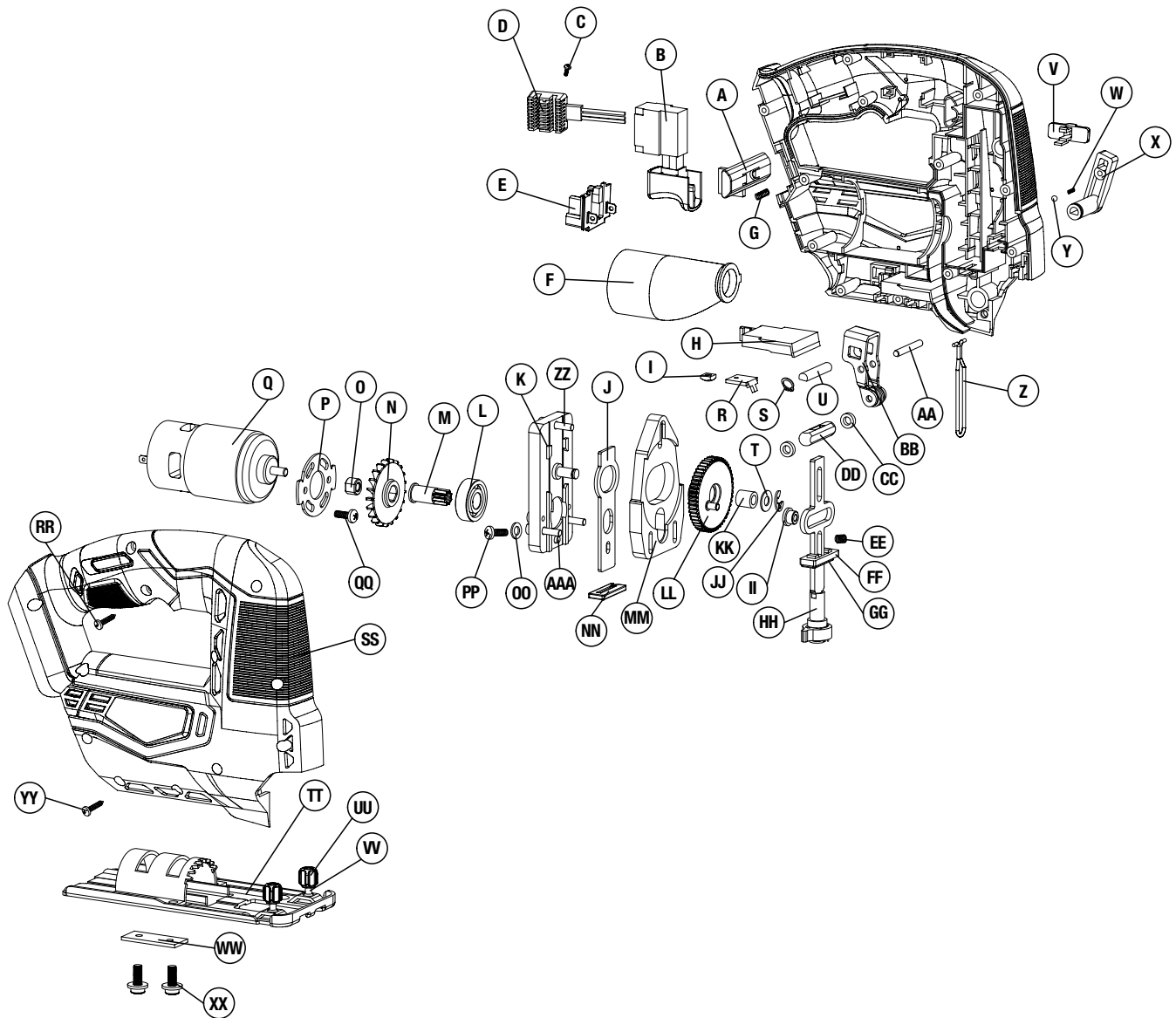
NOTE:

Not all components of the Jig Saw are replacement items, but are illustrated as a convenient reference for location and position in the assembly sequence.



20V MAX* LI-ION JIG SAW

PARTS DIAGRAM



Don't forget to register your new OEMTOOLS® product at www.oem-tools.com.



20V MAX* LI-ION JIG SAW

WE STAND BEHIND OUR TOOLS. OEMTOOLS® 1 YEAR WARRANTY

If within 1 year from the date of purchase of this OEMTOOLS product, you find any defect in material or workmanship, through normal usage, return it to the place of purchase or to OEMTOOLS® for repair or replacement at our discretion. In order to obtain this service, send your tool and proof of purchase (transportation pre-paid) to:

OEMTOOLS® Q.A. Dept., 3580 E. Raines Road #3, Memphis, TN 38118.

We will not be responsible for lost or damaged goods during transportation; please insure your package. If our inspection verifies the defect, we will repair or replace the product, or we may elect to refund the purchase price if we cannot readily and quickly provide you with a replacement. We will return repaired products at our expense, but if we determine there is no defect, or that the defect resulted from causes not within the scope of our warranty, then you must bear the cost of returning the product.

OEMTOOLS® does not provide warranty for products labeled other than OEM® or OEMTOOLS®. OEMTOOLS® will not provide any warranty for products subjected to abnormal use. Abnormal use includes (but is not limited to) abuse, accident, alteration, neglect, and unauthorized or unreasonable use or repairs. This warranty does not cover bits, blades, files, batteries, or calibration. We recommend that you maintain your tools and sharpen or replace blades, bits, files, and batteries as necessary. OEMTOOLS® reserves the right to make any changes in construction or design at any time without any obligation in incorporating such changes to tools or equipment previously sold.

OEMTOOLS® makes every effort to ensure that its products meet high quality and durability standards, and warrants to the original purchaser that this product is free from defects in materials and workmanship. This warranty does not apply to damage due directly or indirectly to misuse, abuse, negligence or accidents, repairs or alterations outside our facilities, criminal activity, improper installation, normal wear and tear, or to lack of maintenance.

We shall in no event be liable for death, injuries to persons or property, or for incidental, contingent, special or consequential damages arising from the use of our product. Some states do not allow the exclusion or limitation of incidental or consequential damages, so the above limitation of exclusion may not apply to you. THIS WARRANTY IS EXPRESSLY IN LIEU OF ALL OTHER WARRANTIES, EXPRESS OR IMPLIED, INCLUDING THE WARRANTIES OF MERCHANTABILITY AND FITNESS. This warranty gives you specific legal rights, and you may also have other rights, which vary from state to state.

Please contact us at customerservice@oem-tools.com or call us at 901-370-1101 for additional information or questions.

Thank you for your purchase.

CONTACT US

3580 E. Raines Road, Suite 3, Memphis, TN 38118
Tel: 1-866-458-2472
www.oem-tools.com