

Please read and save these instructions. Read through this owner's manual carefully before using product. Protect yourself and others by observing all safety information, warnings, and cautions. Failure to comply with instructions could result in personal injury and/or damage to product or property. Please retain instructions for future reference.



## ALL-IN-ONE EMERGENCY TOOL JUMP STARTER / TIRE INFLATOR / 3 TON JACK

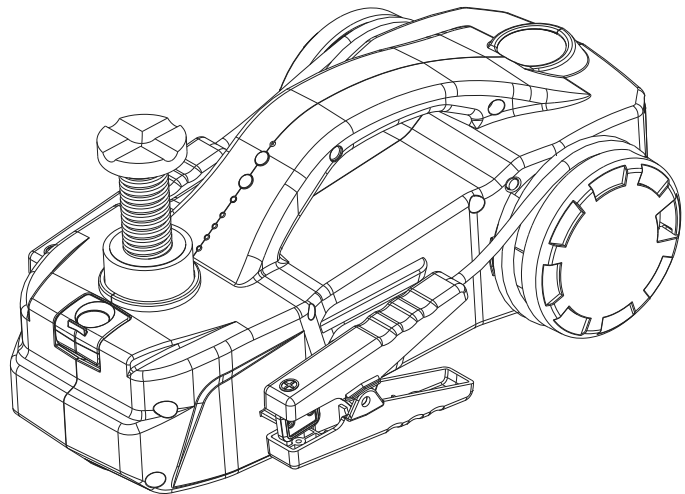
### FOR CUSTOMER SERVICE

Technical Question?

**CALL 1-866-458-2472**  
customerservice@oem-tools.com

### UNPACKING

After unpacking the unit, inspect carefully for any damage that may have occurred during transit. Check for loose, missing, or damaged parts. If any damage is observed, a shipping damage claim must be filed with the carrier. DO NOT use the OEMTOOLS™ All-In-One Emergency Tool if broken, bent, cracked or damaged parts (including labels) are noted. Any Emergency Tool that appears damaged in any way, operates abnormally or is missing parts should be removed from service immediately. If you suspect that the Emergency Tool was subjected to shock load (a load that was dropped suddenly, unexpectedly, etc.), immediately discontinue use until it has been checked by a factory authorized service center.



## ⚠ WARNING

The following safety information is provided as a guideline to help you operate your Emergency Tool under the safest possible conditions. Any tool or piece of equipment can be potentially dangerous to use when safety or safe handling instructions are not known or not followed. The following safety instructions are to provide the user with the information necessary for safe use and operation. Please read and retain these instructions for the continued safe use of your Emergency Tool. Failure to follow instructions listed below may result in serious injury. In addition, make sure that anyone who uses the equipment understands and follows these safety instructions as well.

### Explanation of Safety Signal Words

**⚠ WARNING:** Indicates a potentially hazardous situation which, if not avoided, could result in death or serious injury.

**⚠ CAUTION:** Indicates a potentially hazardous situation which, if not avoided, may result in minor or moderate injury.

**CAUTION:** Used without the safety alert symbol indicates a potentially hazardous situation which, if not avoided, may result in property damage.

Thank you very much for choosing an OEMTOOLS™ Product!

For future reference, please register your new tool at [www.oem-tools.com](http://www.oem-tools.com) and complete the owner's record below:

**Model:** \_\_\_\_\_ **Purchase Date:** \_\_\_\_\_

Save the receipt, warranty and these instructions. It is important that you read the entire manual to become familiar with this product before you begin using it. This product is designed for certain applications only. OEMTOOLS™ cannot be responsible for issues arising from modification. We strongly recommend that this product is not modified and/or used for any application other than that for which it was designed. If you have any questions relative to a particular application, DO NOT use the product until you have first contacted customer service to determine if it can or should be performed on the product.



# ALL-IN-ONE EMERGENCY TOOL - JUMP STARTER / TIRE INFLATOR / 3 TON JACK

## **! IMPORTANT INSTRUCTIONS AND SAFETY RULES**

1. Know your product. Read this manual carefully. Learn the product's applications and limitations, as well as potential hazards specific to it.
2. Keep work area clean and well lit. Cluttered or dark work areas invite accidents.
3. Keep children away. All children should be kept away from the work area. Never let a child handle tools or equipment without strict adult supervision.
4. DO NOT operate this product if under the influence of alcohol or drugs. Read warning labels on prescriptions to determine if your judgment or reflexes are impaired while taking drugs. If there is any doubt, DO NOT attempt to operate.
5. Use safety equipment. Eye protection should be worn at all times when operating this tool. Use ANSI approved safety glasses. Everyday eyeglasses are NOT safety glasses. Dust mask, non-skid safety shoes, hard hat or hearing protection should be used in appropriate conditions.
6. Wear proper apparel. Loose clothing, gloves, neck-ties, rings, bracelets or other jewelry may present a potential hazard when operating this product. Keep all apparel clear of the product.
7. DO NOT overreach. Keep proper footing and balance at all times when operating this product.
8. Check for damage. Check equipment regularly. If part of the product is damaged, it should be carefully inspected to make sure that it can perform its intended function correctly. If in doubt, discontinue use of product.
9. Keep away from flammables. DO NOT attempt to operate this product near flammable materials or combustibles. Failure to comply may cause serious injury or death.
10. Store this product out of the reach of children and untrained persons. This product may be dangerous in the hands of untrained users.
11. Keep this product dry and clean.
12. Use only accessories that are recommended by the manufacturer for your model. Accessories that may be suitable for one product may become hazardous when used on another product.
13. Service must be performed only by qualified repair personnel. Service or maintenance performed by unqualified personnel could result in a risk of injury.
14. When servicing a product, use only identical replacement parts. Use of unauthorized parts or failure to follow maintenance instructions may create a risk of injury.
15. Maintain a safe working environment. Keep the work area well lit. Make sure there is adequate surrounding workspace. Keep the work area free of obstructions, grease, oil, trash, and other debris. DO NOT use this product in a damp or wet location.
16. Maintain labels and nameplates on this product. These carry important information. If unreadable or missing, contact OEMTOOLS™ for a replacement.
17. Keep this product dry, clean, and free from brake fluid, oil, and grease.
18. Avoid accidental fire and/or explosion. DO NOT smoke near this product.
19. The warnings, precautions, and instructions discussed in this manual cannot cover all possible conditions and situations that may occur. The operator must understand that common sense and caution are factors which cannot be built into this product, but must be supplied by the operator.
20. We believe the information contained herein to be reliable. However, general technical information is given by us without charge and the user shall employ such information at their own discretion and risk. We assume no

responsibility for results or damages incurred from the use of such information in whole or in part.

21. The manufacturer declines any and all responsibility for property damage or injury if said damage is the result of unskillful handling by the operator or of failure to observe the basic safety rules set forth in the instruction manual.
22. The procedures documented in this manual are to serve as guidelines for the use of this equipment.
23. The use of this equipment is simple and straightforward if you follow the instructions. When operating this equipment, use common sense, and only use this equipment for its intended purpose.

### PRODUCT DESCRIPTION

The OEMTOOLS™ All-In-One Emergency Tool functions as a jump starter, tire inflator and automatic jack.

### PRODUCT SPECIFICATIONS

<b>Product Dimensions</b>	15.32" (L) x 8.90" (W) x 6.06" (H)
<b>Product Weight</b>	12.35 Lbs.
<b>Battery Capacity</b>	12,000mAh
<b>Output</b>	12V 10A
<b>Start Current (Cold Cranking Amps)</b>	200A
<b>Peak Current</b>	400A
<b>Operating Temperature</b>	-4°F (-20°C) to 140°F (60°C)
<b>Charge Time</b>	3 Hours

### JACK SPECIFICATIONS

<b>Max Current</b>	13A
<b>Output</b>	150W
<b>Max Capacity</b>	3 Ton
<b>Height Range</b>	7.25" to 14.25"

### INFLATOR SPECIFICATIONS

<b>Max Current</b>	10A
<b>Max Pressure</b>	150 PSI
<b>Airflow</b>	1.2 SCFM
<b>Air Hose Length</b>	2.5'

### CONTENTS

All-In-One Emergency Jump Starter / Tire Inflator / 3 Ton Jack, Charging Cable and Adapter, User manual

### SPECIFIC SAFETY INSTRUCTIONS AND WARNINGS

**! WARNING:** Thoroughly read and understand the provided product manual before attempting to use this product.

**! WARNING:** Jump starter for 12V batteries only. Never attempt to jump start aircraft, boats, or vehicles with other battery sizes.

**! WARNING:** DO NOT connect the two jump starting clamps together.

**! WARNING:** DO NOT allow this product to come in contact with water. DO NOT store in wet and damp spaces. DO NOT submerge in any liquid.

**! WARNING:** DO NOT attempt more than three (3) successive jump starts. Allow 2 minutes between attempts, and disconnect cables completely between attempts.

**! WARNING FIRE HAZARD:** DO NOT operate in the presence of flammable liquids, gasses, or dusts.

1. DO NOT attempt to use this unit if any cable clamp or jump start cord is damaged.
2. DO NOT use as a vehicle battery charger.
3. DO NOT leave the product connected after the vehicle has





## ALL-IN-ONE EMERGENCY TOOL - JUMP STARTER / TIRE INFLATOR / 3 TON JACK

been successfully jump started. Remove the clamps within 30 seconds of successful jump start.

4. DO NOT attempt to use charging cords, jump start cables, or other accessories that did not come with this product. The included accessories have been designed to work with this product only. Use of other accessories could cause explosion or fire.
5. DO NOT operate in extreme heat or near exposed flames, or in temperatures exceeding 140°F (60°C).
6. DO NOT charge units in temperatures lower than 32°F (0°C) or temperatures exceeding 140°F (60°C).
7. DO NOT attempt to operate unit if the unit has been dropped or has been subjected to impact. The unit must be checked by a qualified battery technician before attempting to use again.
8. DO NOT use this unit in conjunction with a battery charger.
9. DO NOT attempt to disassemble unit or modify in any way, this unit does not include serviceable parts.
10. DO NOT use this product while unaccompanied. Ensure there is a person nearby that can come to your aid while working with batteries.
11. Ensure battery terminals are clean before jump starting. If the battery terminals are dirty or corroded, the performance of the jump starter will be reduced.
12. Ensure the battery clamps have been correctly connected to the battery before attempting to jump start.
13. Under extreme conditions, battery leakage can occur. If liquid is noticed coming from the product, DO NOT handle with bare hands. If your skin comes in contact with battery acid, wash with soap and water immediately. If battery acid comes in contact with eyes, rinse with cold water for at least 10 minutes, and seek medical attention immediately.
14. This product contains a lithium-based battery, at the end of product life, dispose of product according to federal/state/local regulation.

### CHARGING INSTRUCTIONS

**▲ WARNING:** DO NOT leave the Emergency Tool unattended while charging.

#### Power Indicator:

NO LIGHT	1 SOLID LIGHT	2 SOLID LIGHTS	3 SOLID LIGHTS	4 SOLID LIGHTS
0%	25%	50%	75%	100%

1. Plug the Wall Charging Adapter into a 110-120V AC outlet.
2. Connect the Micro-USB to the charging port of the Emergency Tool.
3. The power indication lights will flash at charging increments (shown above). The indicator lights will shut-off at full charge.
4. Promptly unplug from outlet.
5. The battery will remain charged for about 6 months; it is recommended to recharge the battery every 3 months to maximize battery life.

### JUMP STARTER INSTRUCTIONS

**▲ WARNING:** Follow the information in this manual exactly; a fire may result causing property damage, personal injury or loss of life.

**▲ WARNING:** DO NOT attempt to jump start a positive ground vehicle with this emergency tool.

1. Ensure 3 or more charge indicator lights are on (>75% Battery).
2. Connect the Red Clamp to the positive (+) battery terminal.
3. Connect the Black Clamp to the negative (-) battery terminal.

4. The Jump Start Indicator (located above the Charge Indicator) will signal next course of action;
  - a. Green Light – good connection, continue to step 5.
  - b. Green Light with Buzzing Alert – the connection is incorrect, disconnect the clamps from the posts and repeat steps 2 and 3.
  - c. Green Light Blinking – the vehicle’s battery is too low, press the “BOOST” button and wait until the Jump Start Indicator turns solid green. Proceed to step 5 within 30 seconds.
  - d. No Lights On – the vehicle’s battery is damaged, confirm the clamps are correctly connected. Press the “Boost” button, wait until the Jump Start Indicator turns solid green. Proceed to step 5 within 30 seconds.
5. Start the vehicle. Remove the jump starter cables, and leave vehicle running. Return the Emergency Tool to storage.
6. If the vehicle does not start, disconnect the clamps and wait 2 minutes. Repeat steps 1-5. DO NOT attempt to jump start more than 3 times.

### JACK INSTRUCTIONS

**▲ WARNING:** DO NOT place extremities, clothing, or any material between the jack and lifting point of the vehicle. This can cause personal injury and/or property damage.

1. Stop the vehicle on a level surface, put the vehicle into park, and activate the parking/emergency brake.
2. Place the jack directly below the vehicle manufacturer’s recommended lift point nearest to the flat tire. Rotate the adjusting screw so that the saddle is as close to the vehicle as possible.
3. Turn the Emergency Tool ON, adjust to the “Jack” function. Press the “UP” direction switch. Before the saddle makes contact with the loading point of the chassis, stop the jack to ensure proper contact between the saddle and the vehicle’s chassis.
4. Once the loading point is centered above a depressed ridge on the saddle, continue lifting the vehicle to the desired working height.
5. Turn the Emergency Tool OFF. The jack will remain at the lifted height.
6. Once the tire has been changed, turn the Emergency Tool ON. Press the “DOWN” direction to lower the jack. The jack will lower at a constant speed.
7. Turn the Emergency Tool “OFF”, remove the tool from underneath the vehicle and return to storage.

### INFLATION INSTRUCTIONS

**▲ WARNING:** DO NOT exceed 150 PSI; this may damage the product.

1. Pull the air hose out from the storage compartment and turn ON the power.
2. Attach the air hose to the tire valve, adjust to the “Air Inflator” function. The tire will start to inflate.
3. Monitor the pressure gauge; when the desired pressure is reached turn the power OFF.

### LED FLASHLIGHT INSTRUCTIONS

1. Press the LED switch to activate the LED flashlight.
2. Press again to activate the following modes: Normal, Strobe, SOS, OFF.

### MAINTENANCE INSTRUCTIONS

1. There are no serviceable parts included with this product.
2. DO NOT attempt to disassemble this product.
3. Wipe off the clamps and outer plastic frame with a clean cloth after use or periods of extended storage.

### STORAGE

Store the Emergency Tool in an upright position and in a clean, dry area. DO NOT store near flammable items or open flames.

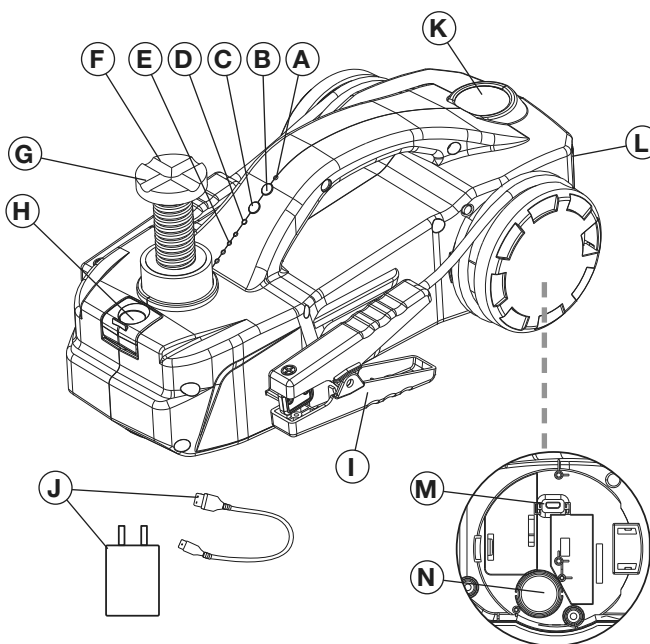


## ALL-IN-ONE EMERGENCY TOOL - JUMP STARTER / TIRE INFLATOR / 3 TON JACK

### PARTS LIST

Figure	Description	Quantity
A	Jump Start Indicator	1
B	Power ON/OFF	1
C	LED ON/OFF	1
D	BOOST	1
E	Power Indicator	1
F	Saddle	1
G	Jack	1
H	LED Flashlight	1
I	Jump Starter Clamp	2
J	Charger and Adapter	1
K	Pressure Gauge	1
L	Air Inflator/Jack Switch	1
M	Charging Input	1
N	12V 10A Output	1

### PRODUCT LAYOUT



**Note:** Not all components of the All-In-One Emergency Tool - Jump Starter / Tire Inflator / 3 Ton Jack are replacement items, but are illustrated as a convenient reference for location and position in the assembly sequence. The manufacturer and/or distributor have provided the parts list and assembly diagram in this manual as a reference tool only. Neither the manufacturer nor distributor makes any representation or warranty of any kind to the buyer that he or she is qualified to make any repairs to the product, or that he or she is qualified to replace any parts of the product. In fact, the manufacturer and/or distributor expressly states that all repairs and parts replacements should be undertaken by certified and licensed technicians, and not by the buyer. The buyer assumes all risk and liability arising out of his or her repairs to the original product or replacement parts thereto, or arising out of his or her installation of replacement parts thereto.

### OEMTOOLS® 90 DAY LIMITED WARRANTY

For 90 days from the original purchase of this product, OEMTOOLS™ will warranty this item. If you find any defect in material or workmanship, through normal usage, return it to the place of purchase or to OEMTOOLS™ for repair or replacement at our discretion. In order to obtain this service, send your tool and proof of purchase, transportation pre-paid, to OEMTOOLS™ Q.A. Dept., 3850 Raines Road #3, Memphis, TN 38118. We will not be responsible for lost or damaged goods during transportation; please insure your package. If our inspection verifies the defect, we will either repair or replace the product at our election, or we may elect to refund the purchase price if we cannot readily and quickly provide you with a replacement. We will return repaired products at our expense, but if we determine there is no defect, or that the defect resulted from causes not within the scope of our warranty, then you must bear the cost of returning the product.

OEMTOOLS® does not provide warranty for products labeled other than OEM® or OEMTOOLS™. OEMTOOLS™ will not provide any warranty for products subjected to abnormal use. Abnormal use includes, but is not limited to, abuse, accident, alteration, neglect, and unauthorized or unreasonable use or repairs. This warranty does not cover bits, blades, files, batteries, or calibration. We recommend that you maintain your tools and sharpen or replace blades, bits, files, and batteries as necessary. OEMTOOLS™ reserves the right to make any changes in construction or design at any time without any obligation in incorporating such changes to tools or equipment previously sold.

OEMTOOLS™ makes every effort to ensure that its products meet high quality and durability standards, and warrants to the original purchaser that this product is free from defects in materials and workmanship for the period of 90 days from the date of purchase. This warranty does not apply to damage due directly or indirectly to misuse, abuse, negligence or accidents, repairs or alterations outside our facilities, criminal activity, improper installation, normal wear and tear or to lack of maintenance.

We shall in no event be liable for death, injuries to persons or property, or for incidental, contingent, special or consequential damages arising from the use of our product. Some states do not allow the exclusion or limitation of incidental or consequential damages, so the above limitation of exclusion may not apply to you. THIS WARRANTY IS EXPRESSLY IN LIEU OF ALL OTHER WARRANTIES, EXPRESS OR IMPLIED, INCLUDING THE WARRANTIES OF MERCHANTABILITY AND FITNESS. This warranty gives you specific legal rights, and you may also have other rights, which vary from state to state.

Don't forget to register your new OEMTOOLS™ product at [www.oem-tools.com](http://www.oem-tools.com).

## CONTACT US

3580 E. Raines Road, Suite 3, Memphis, TN 38118  
 Tel: 1-866-458-2472  
[www.oem-tools.com](http://www.oem-tools.com)