

Please read and save these instructions. Read through this owner's manual carefully before using product. Protect yourself and others by observing all safety information, warnings, and cautions. Failure to comply with instructions could result in personal injury and/or damage to product or property. Please retain instructions for future reference.



5 GALLON TIRE BEAD SEATER

FOR CUSTOMER SERVICE

Technical Question?

CALL 1-866-458-2472
customerservice@oem-tools.com

UNPACKING

After unpacking unit, inspect carefully for any damage that may have occurred during transit. Check for loose, missing, or damaged parts. If any damage is observed, a shipping damage claim must be filed with carrier. Do not use the OEMTOOLS® 5 Gallon Tire Bead Seater if broken, bent, cracked or damaged parts (including labels) are noted. Any 5 Gallon Tire Bead Seater that appears damaged in any way, operates abnormally or is missing parts should be removed from service immediately. If you suspect that the 5 Gallon Tire Bead Seater was subjected to shock load (a load that was dropped suddenly, unexpectedly, etc.) immediately discontinue use until it has been checked by a factory authorized service center.



⚠ WARNING

The following safety information is provided as a guideline to help you operate your 5 Gallon Tire Bead Seater under the safest possible conditions. Any tool or piece of equipment can be potentially dangerous to use when safety or safe handling instructions are not known or not followed. The following safety instructions are to provide the user with the information necessary for safe use and operation. Please read and retain these instructions for the continued safe use of your service system. Failure to follow instructions listed below may result in serious injury. In addition, make certain that anyone who uses the equipment understands and follows these safety instructions as well.

Explanation of Safety Signal Words

⚠ WARNING: Indicates a potentially hazardous situation which, if not avoided, could result in death or serious injury.

⚠ CAUTION: Indicates a potentially hazardous situation which, if not avoided, may result in minor or moderate injury.

CAUTION: Used without the safety alert symbol indicates a potentially hazardous situation which, if not avoided, may result in property damage.

NOTES: Provide clarity and helpful information.

Thank you very much for choosing an OEMTOOLS® Product!

For future reference, please register your new tool at www.oem-tools.com and complete the owner's record below:

Model: _____ **Purchase Date:** _____

Save the receipt, warranty and these instructions. It is important that you read the entire manual to become familiar with this product before you begin using it. This product is designed for certain applications only. OEMTOOLS® cannot be responsible for issues arising from modification. We strongly recommend this product is not modified and/or used for any application other than that for which it was designed. If you have any questions relative to a particular application, DO NOT use the product until you have first contacted customer service to determine if it can or should be performed on the product.

⚠ WARNING: Pursuant to California Proposition 65, this product contains chemicals known to the state of California to cause cancer and birth defects or other reproductive harm. Wash hands after handling.



5 GALLON TIRE BEAD SEATER



IMPORTANT INSTRUCTIONS AND SAFETY RULES

1. Know your tool. Read this manual carefully. Learn the tool's applications and limitations, as well as, potential hazards specific to it.
2. Keep work area clean and well lit. Cluttered or dark work areas invite accidents.
3. Keep children away. All children should be kept away from the work area. Never let a child handle a tool without strict adult supervision.
4. Do not operate this tool if under the influence of alcohol or drugs. Read warning labels on prescriptions to determine if your judgment or reflexes are impaired while taking drugs. If there is any doubt, do not attempt to operate.
5. Use safety equipment. Eye protection should be worn at all times when operating this tool. Use ANSI approved safety glasses. Everyday eyeglasses are NOT safety glasses. Dust mask, non-skid safety shoes, hard hat or hearing protection should be used in appropriate conditions.
6. Wear proper apparel. Loose clothing, gloves, neck-ties, rings, bracelets or other jewelry may present a potential hazard when operating this tool. Keep all apparel clear of the tool.
7. Don't overreach. Keep proper footing and balance at all times when operating this tool.
8. Check for damage. Check your tool regularly. If part of the tool is damaged it should be carefully inspected to make sure that it can perform its intended function correctly. If in doubt, the part should be repaired. Refer all servicing to a qualified technician. Consult your dealer for advice.
9. Keep away from flammables. Do not attempt to operate this tool near flammable materials or combustibles. Failure to comply may cause serious injury or death.
10. Store idle tools out of the reach of children and untrained persons. Tools may be dangerous in the hands of untrained users.
11. Maintain tools with care.
12. Keep tools dry and clean.
13. Properly maintained tools are less likely to bind and are easier to control. Do not use a damaged tool. Tag damaged tools "Do not use" until repaired.
14. Check for misalignment or binding of moving parts, breakage of parts, and any other condition that may affect the tool's operation.
15. If damaged, have the tool serviced before using. Many accidents are caused by poorly maintained tools.
16. Use only accessories that are recommended by the manufacturer for your model. Accessories that may be suitable for one tool may become hazardous when used on another tool.
17. Tool service must be performed only by qualified repair personnel. Service or maintenance performed by unqualified personnel could result in a risk of injury.
18. When servicing a tool, use only identical replacement parts. Use of unauthorized parts or failure to follow maintenance instructions may create a risk of injury.
19. Maintain a safe working environment. Keep the work area well lit. Make sure there is adequate surrounding workspace. Keep the work area free of obstructions, grease, oil, trash, and other debris. Do not use this product in a damp or wet location.
20. Maintain labels and nameplates on this product. These carry important information. If unreadable or missing, contact OEM for a replacement.
21. Keep the handle dry, clean, and free from brake fluid, oil, and grease.
22. Before use, read and understand all warnings, safety precautions, and instructions as outlined in the vehicle manufacturer's service manual. It is beyond the scope of this manual to properly describe the correct procedure and test data for each vehicle.
23. Always perform vehicle service in a properly ventilated area. Never run an engine without proper ventilation for its exhaust. Stop work and take necessary steps to improve ventilation in the work area if you develop momentary eye, nose, or throat irritation as this indicates inadequate ventilation.
24. Engine parts that are in motion and unexpected movement of a vehicle can injure or kill. When working near moving engine parts, wear snug fit clothing and keep hands and fingers away from moving parts. Keep hoses and tools clear of moving parts. Always stay clear of moving engine parts. Hoses and tools can be thrown through the air if not kept clear of moving engine parts. The unexpected movement of a vehicle can injure or kill. When working on vehicles always set the parking brake or block the wheels.
25. Be alert for hot engine parts to avoid accidental burns.
26. If you drove your car recently, fluids could be very hot. Allow at least 2 hours before you handle any fluids. Oil and coolant burns are very dangerous.
27. Avoid accidental fire and/or explosion. Do not smoke near engine fuel and battery components.
28. The warnings, precautions, and instructions discussed in this manual cannot cover all possible conditions and situations that may occur. The operator must understand that common sense and caution are factors which cannot be built into this product, but must be supplied by the operator.
29. For safety purposes and the prevention of damage to expensive components it is advised that the user have an understanding of basic automotive repair and a working knowledge of automotive systems.
30. We believe the information contained herein to be reliable. However, general technical information is given by us without charge and the user shall employ such information at his own discretion and risk. We assume no responsibility for results or damages incurred from the use of such information in whole or in part. Always refer to specific instructions and technical information supplied by vehicle manufacturer.
31. The manufacturer declines any and all responsibility for damage to vehicles or components if said damage is the result of unskillful handling by the operator or of failure to observe the basic safety rules set forth in the instruction manual.

DISPOSAL

At the end of the useful life of the Tire Bead Seater, dispose of the components according to all state, federal and local regulations.

PURPOSE

The OEMTOOLS® 5 Gallon Tire Bead Seater is a simple, fast, and safe way to seat even the most difficult beads on tires from small 4" tires to large 24-1/2" truck tires. An air release valve delivers compressed air from a tank into the tire, blasting a large amount of air and lifting the tire bead onto the wheel rim, thus creating an air tight seal so the tire can be inflated.



5 GALLON TIRE BEAD SEATER

OPERATING INSTRUCTIONS

⚠ WARNING

Always wear safety glasses and gloves!

Read the ENTIRE IMPORTANT INSTRUCTIONS AND SAFETY RULES section at the beginning of this document including all text under subheadings therein before set up or use of this product.

This equipment is intended only for professional use by personnel trained in performing the service functions for which it is has been designed.

Do not attempt to force the use of this equipment on an application for which it is not designed to perform.

The procedures documented in this manual are to serve as guidelines for the use of this equipment.

1. The use of this equipment is simple and straightforward if you follow the instructions. However, always keep in mind that you are working with a system that may be under pressure.
2. When operating this equipment, use common sense, and always stop to think before discharging compressed air.
3. Wear ear and eye protection that meet ANSI and OSHA standards.
4. Do not exceed the maximum air pressure rating of 150 PSI. Overfilling the air tank may result in an explosion. Recommended operating air pressure is 90 PSI to 140 PSI.
5. Do not point the air nozzle at a person.
6. Hold the nozzle securely against the wheel rim with both hands during the burst of air.
7. Discharge the air tank when it is not in use.
8. Do not tighten or loosen fittings when the tank is charged.
9. Drain the tank periodically, but never remove the drain plug when the tank is charged.
10. Do not use this tool for anything other than its intended purpose.
11. Do not inflate damaged tires or tires on damaged rims.
12. Do not store or transport a charged tank.
13. Do not use it for dusting down equipment or people.
14. Do not discharge the device towards anyone.
15. Do not clean a tire with a flammable solvent before using the device.
16. Do not subject the tank to any stress or impact that might weaken it.
17. Consideration must be given to people working close to the device.

FILLING THE BEAD BLASTER

The bead blaster can be filled from any general commercial compressed air source. Ensure the Air Discharge Valve (I) is closed, open the ball valve (C) to fill the device. When the pressure gauge indicates the required pressure, close the air inlet ball valve and disconnect the air supply.

USING THE BEAD BLASTER ON A HORIZONTAL TIRE AND WHEEL

1. Place the wheel and tire flat on a tire stand so the lower side wall of the tire is slightly off the floor. Seat the lower tire bead on the bottom of the wheel. Apply tire lubricant around the rim and tire bead. Fit a supply airline to the tire valve to complete tire inflation after the bead is seated. Rotate the barrel (K) so the barrel flange is on top (the same side as the discharge valve with handle (I)). Hold the bead blaster at about 40 degrees from vertical and rest the barrel on the upper edge of the wheel rim opposite the tire valve so that the barrel is pointing into the opening between tire and rim.
2. Check that no one is close and warn others that you are about to release the air from the tank. Hold the handle firmly in one hand and with the other turn the discharge valve with handle (I) to fully open in one movement, so releasing the air into the tire. When the bead has seated, use the supply airline to inflate the tire to its operating pressure.

ON A VERTICAL/UPRIGHT TIRE AND WHEEL

1. Use this method when there is a large gap between the wheel rim and tire bead or if the tire is particularly heavy.
2. The back bead of the tire should be seated against the wheel rim to trap the air. The front or wide flange of the wheel should be facing the operator. The valve stem should be at the bottom of the tire. Apply tire lubricant around the rim and tire bead. Fit a supply airline to the tire valve to complete tire inflation after the bead is seated. Rotate the barrel (K) so the barrel is underneath. Hold the bead blaster at about 40 degrees from horizontal and locate the barrel against the edge of the wheel rim near the top of the wheel, and opposite the valve stem, so that the barrel is pointing into the opening between tire and rim.
3. Check that no one is too close and warn others that you are about to release the air from the tank.
4. Hold the bead blaster's handle firmly in one hand and with the other hand turn the discharge valve with handle to fully open in one movement, so releasing the air into the tire.

AS A TIRE INFLATOR

Connect the tire valve with dual chuck, turn on the ball valve (C) to inflate the tire.

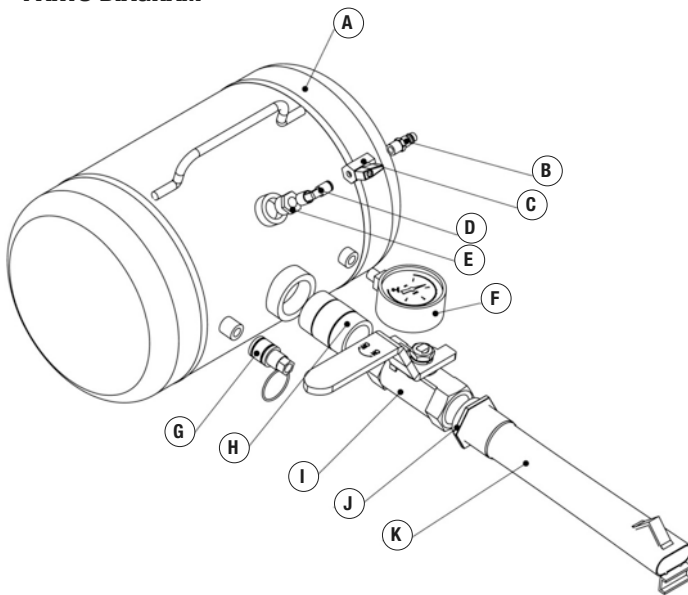
MAINTENANCE

1. Store the Tire Bead Seater in the vertical position with the drain plug removed.
2. Never remove the drain plug when the tank is charged.
3. Never store or transport a charged tank.
4. Always store the Tire Bead Seater in a well-protected area where it will not be exposed to inclement weather, corrosive vapors, abrasive dust, or any other harmful elements.
5. Keep the Tire Bead Seater clean for better and safer performance.
6. Check the air tank and fitting for cracks. If damage is found, discontinue use.



5 GALLON TIRE BEAD SEATER

PARTS DIAGRAM



PARTS LIST

Figure	Description	Quantity
A	Air Tank	1
B	Plug	1
C	Ball Valve	1
D	90 Degree Bushing	1
E	3/4 - 1/4" Bushing	1
F	Gauge	1
G	Safety Release Valve	1
H	Pipe Nipple	1
I	Discharge Valve with Handle	1
J	Lock Nut	1
K	Threaded Barrel	1

NOTE: Not all components of the Tire Bead Seater are replacement items, but are illustrated as a convenient reference for location and position in the assembly sequence.

OEMTOOLS® ONE YEAR WARRANTY

If for up to one year from the date of purchase of this OEMTOOLS® product you find any defect in material or workmanship, through normal usage, return it to the place of purchase, or to OEMTOOLS® for repair or replacement at our discretion. In order to obtain this service, send your tool and proof of purchase, transportation pre-paid, to OEMTOOLS® Q.A. Dept., 3580 E. Raines Road #3, Memphis, TN 38118. We will not be responsible for lost or damaged goods during transportation; please insure your package. If our inspection verifies the defect, we will either repair or replace the product at our election, or we may elect to refund the purchase price if we cannot readily and quickly provide you with a replacement. We will return repaired products at our expense, but if we determine there is no defect, or that the defect resulted from causes not within the scope of our warranty, then you must bear the cost of returning the product.

OEMTOOLS® does not provide warranty for products labeled other than OEM® or OEMTOOLS®. OEMTOOLS® will not provide any warranty for products subjected to abnormal use. Abnormal use includes, but is not limited to, abuse, accident, alteration, neglect, and unauthorized or unreasonable use or repairs. This warranty does not cover bits, blades, files, batteries, or calibration. We recommend that you maintain your tools and sharpen or replace blades, bits, files, and batteries as necessary. OEMTOOLS® reserves the right to make any changes in construction or design at any time without any obligation in incorporating such changes to tools or equipment previously sold.

OEMTOOLS® makes every effort to ensure that its products meet high quality and durability standards, and warrants to the original purchaser that this product is free from defects in materials and workmanship for the period of one year from the date of purchase. This warranty does not apply to damage due directly or indirectly to misuse, abuse, negligence or accidents, repairs or alterations outside our facilities, criminal activity, improper installation, normal wear and tear or to lack of maintenance.

We shall in no event be liable for death, injuries to persons or property, or for incidental, contingent, special or consequential damages arising from the use of our product. Some states do not allow the exclusion or limitation of incidental or consequential damages, so the above limitation of exclusion may not apply to you. THIS WARRANTY IS EXPRESSLY IN LIEU OF ALL OTHER WARRANTIES, EXPRESS OR IMPLIED, INCLUDING THE WARRANTIES OF MERCHANTABILITY AND FITNESS. This warranty gives you specific legal rights, and you may also have other rights, which vary from state to state.

Don't forget to register your new OEMTOOLS® product at www.oem-tools.com.

CONTACT US

3580 E. Raines Road, Suite 3, Memphis, TN 38118
Tel: 1-866-458-2472
www.oem-tools.com

