

Please read and save these instructions. Read through this owner's manual carefully before using product. Protect yourself and others by observing all safety information, warnings, and cautions. Failure to comply with instructions could result in personal injury and/or damage to product or property. Please retain instructions for future reference.



MIGHTY COMPACT 1/2" IMPACT WRENCH

FOR CUSTOMER SERVICE

Technical Question?

CALL 1-866-458-2472

customerservice@oem-tools.com

UNPACKING

After unpacking unit, inspect carefully for any damage that may have occurred during transit. Check for loose, missing, or damaged parts. If any damage is observed, a shipping damage claim must be filed with carrier. Do not use the OEMTOOLS Impact Wrench if broken, bent, cracked or damaged parts (including labels) are noted. Any Impact Wrench that appears damaged in any way, operates abnormally or is missing parts should be removed from service immediately. If you suspect that the Impact Wrench was subjected to shock load (a load that was dropped suddenly, unexpectedly, etc.) immediately discontinue use until it has been checked by a factory authorized service center.



⚠ WARNING

The following safety information is provided as a guideline to help you operate your Impact Wrench under the safest possible conditions. Any tool or piece of equipment can be potentially dangerous to use when safety or safe handling instructions are not known or not followed. The following safety instructions are to provide the user with the information necessary for safe use and operation. Please read and retain these instructions for the continued safe use of your service system. Failure to follow instructions listed below may result in serious injury. In addition, make certain that anyone that uses the equipment understands and follows these safety instructions as well.

Explanation of Safety Signal Words

⚠ WARNING : Indicates a potentially hazardous situation which, if not avoided, could result in death or serious injury.

⚠ CAUTION : Indicates a potentially hazardous situation which, if not avoided, may result in minor or moderate injury.

CAUTION : Used without the safety alert symbol indicates a potentially hazardous situation which, if not avoided, may result in property damage.

Notes : Provide clarity and helpful information.

⚠ WARNING Pursuant to California Proposition 65, this product contains chemicals known to the state of California to cause cancer and birth defects or other reproductive harm. Wash hands after handling.



MIGHTY COMPACT 1/2" IMPACT WRENCH

Thank you very much for choosing an OEMTOOLS Product!

For future reference, please complete the owner's record below:

Model: _____ **Purchase Date:** _____

Save the receipt, warranty and these instructions. It is important that you read the entire manual to become familiar with this product before you begin using it. This machine is designed for certain applications only. OEMTOOLS cannot be responsible for issues arising from modification. We strongly recommend this machine is not modified and/or used for any application other than that for which it was designed. If you have any questions relative to a particular application, DO NOT use the machine until you have first contacted OEMTOOLS to determine if it can or should be performed on the product.

For technical questions please call 1-866-458-2472.



IMPORTANT INSTRUCTIONS AND SAFETY RULES

1. Know your tool. Read this manual carefully. Learn the tool's applications and limitations, as well as, potential hazards specific to it.
2. Keep work area clean and well lit. Cluttered or dark work areas invite accidents.
3. Keep children away. All children should be kept away from the work area. Never let a child handle a tool without strict adult supervision.
4. Do not operate this tool if under the influence of alcohol or drugs. Read warning labels on prescriptions to determine if your judgment or reflexes are impaired while taking drugs. If there is any doubt, do not attempt to operate.
5. Use safety equipment. Eye protection should be worn at all times when operating this tool. Use ANSI approved safety glasses. Everyday eyeglasses are NOT safety glasses. Dust mask, non-skid safety shoes, hard hat or hearing protection should be used in appropriate conditions.
6. Wear proper apparel. Loose clothing, gloves, neckties, rings, bracelets or other jewelry may present a potential hazard when operating this tool. Keep all apparel clear of the tool.
7. Don't overreach. Keep proper footing and balance at all times when operating this tool.
8. Check for damage. Check your tool regularly. If part of the tool is damaged it should be carefully inspected to make sure that it can perform its intended function correctly. If in doubt, the part should be repaired. Refer all servicing to a qualified technician. Consult your dealer for advice.
9. Keep away from flammables. Do not attempt to operate this tool near flammable materials or combustibles. Failure to comply may cause serious injury or death.
10. Store idle tools out of the reach of children and untrained persons. Tools may be dangerous in the hands of untrained users.
 - Maintain tools with care.
 - Keep tools dry and clean.
 - Do not use a damaged tool. Tag damaged tools "Do not use" until repaired.
 - Use only accessories that are recommended by the manufacturer for your model. Accessories that may be suitable for one tool may become hazardous when used on another tool.
 - Tool service must be performed only by qualified repair personnel. Service or maintenance performed by unqualified personnel could result in a risk of injury.
 - When servicing a tool, use only identical replacement parts. Use of unauthorized parts or failure to follow maintenance instructions may create a risk of injury.
 - Maintain a safe working environment. Keep the work area well lit. Make sure there is adequate surrounding workspace. Keep the work area free of obstructions, grease, oil, trash, and other debris. Do not use this product in a damp or wet location.
 - Maintain labels and nameplates on this product. These carry important information. If unreadable or missing, contact OEMTOOLS for a replacement.
 - Before use, read and understand all warnings, safety precautions, and instructions as outlined in the vehicle manufacturer's service manual. It is beyond the scope of this manual to properly describe the correct procedure and test data for each vehicle.
 - Always perform vehicle service in a properly ventilated area. Never run an engine without proper ventilation for its exhaust. Stop work and take necessary steps to improve ventilation in the work area if you develop momentary eye, nose, or throat irritation as this indicates inadequate ventilation.



MIGHTY COMPACT 1/2" IMPACT WRENCH

⚠ WARNING

- Disconnect from air supply before changing accessories or servicing.
- Check correct air pressure is maintained and not exceeded.
- Due to possible presences of asbestos dust from brake linings, when working around vehicle brake systems we recommend you wear suitable respiratory protection.

NOTE: The manufacturer declines any and all responsibility for damage to vehicles or components if said damage is the result of unskillful handling by the operator or of failure to observe the basic safety rules set forth in the instruction manual.

⚠ WARNING

Read Rules for Safe Operation and Instructions Carefully.

IMPORTANT SAFETY INSTRUCTIONS

The warnings, precautions, and instructions discussed in this manual cannot cover all possible conditions and situations that may occur. The operator must understand that common sense and caution are factors which cannot be built into this product, but must be supplied by the operator.

⚠ WARNING

1. Use only attachments recommended or sold by manufacturer. Use of non-recommended attachments may result in fire, electric shock or injury.
2. Do not disassemble the Impact Wrench. Take it to a qualified professional when service or repair is required. Incorrect reassembly may result in electric shock or fire.
3. Keep air hose away from heat, oil and sharp edges. Check air hose for wear before each use and ensure that all connections are secure.
4. Only use impact sockets which are specifically designed for use with an impact wrench.
5. Wear approved safety eye/face shield, ear defenders and hand protection.
6. When not in use disconnect from air supply and store in a safe dry, childproof location.
7. DO NOT use the wrench for task it is not designed to perform.

8. DO NOT carry the wrench by the air hose, or yank the hose from the air supply.
9. DO NOT operate wrench if you are tired or under the influence of alcohol, drugs or intoxicating medication.
10. DO NOT direct air from the air hose at yourself or others.

DISPOSAL

At the end of the useful life of the OEMTOOLS Impact Wrench, dispose of the components according to all state, federal, and local regulations.

PURPOSE

The 24403 Mighty Compact 1/2" Impact Drive Wrench is a combination of composite materials, alloyed metals and twin hammer design resulting in a lightweight, durable and powerful wrench that is suitable for professional garage use.

PRODUCT SPECIFICATIONS

Driver Size:	1/2"
Free Speed:	11000 RPM
Bolt Capacity:	16 mm
Working Torque:	450 Ft./Lbs.
Clutch Type:	Twin Hammer
Air Consumption:	4.7 CFM
Weight:	3.5 Lbs.
Length:	5 1/4"
Inlet (NPT)	1/4"

⚠ WARNING

Ensure the air supply is clean and does not exceed 90 psi while operating the wrench. Excessive wear will result if air pressure is too high and /or you use unclean air. This can shorten the product life and may be dangerous causing damage and/or personal injury.



MIGHTY COMPACT 1/2" IMPACT WRENCH

PREPARING WRENCH FOR USE

Air Supply

Ensure wrench air valve (or trigger) is in the "off" position before connecting to the air supply. According to specifications your wrench requires an air pressure of 90 psi.

- Drain the compressor air tank daily as water in the air line will damage the wrench.
- Clean compressor air inlet filter weekly.
- Line pressure should be increased to compensate for unusually long air hoses (over 8 meters).
- The minimum hose diameter should be 3/8".
- Keep hose away from heat, oil and sharp edges.
- Check hose for wear, and make certain that all connections are secure.

Couplings

Vibration may cause failure if a quick change coupling is connected directly to the wrench. To overcome this, connect a leader hose to the wrench. A quick change coupling may then be used to connect the leader hose to the air line recoil hose.

OPERATING INSTRUCTIONS:

⚠ WARNING

Ensure you read, understand and apply safety instructions before use.

1. Only use impact sockets which are specifically designed for use with an impact wrench.
2. Connect the wrench to the air hose.
3. Place the socket over the fastener nut and depress the trigger to operate the wrench.
4. The Forward Reverse Valve is located on the back of the Impact. Simply move the valve right or left to change direction.



DO NOT allow wrench to free run for an extended period of time as this will reduce bearing life.

MAINTENANCE

⚠ WARNING

Disconnect wrench from air supply before changing accessories, servicing or performing maintenance.

1. Replace or repair damaged parts. Use genuine parts only. Unauthorized parts may be dangerous and will invalidate the warranty.
2. If the air system does not have an oiler then lubricate the Impact Wrench daily with a few drops of air tool oil into the air inlet.
3. Clean the wrench after use.
4. DO NOT use worn, or damaged sockets.

TROUBLESHOOTING

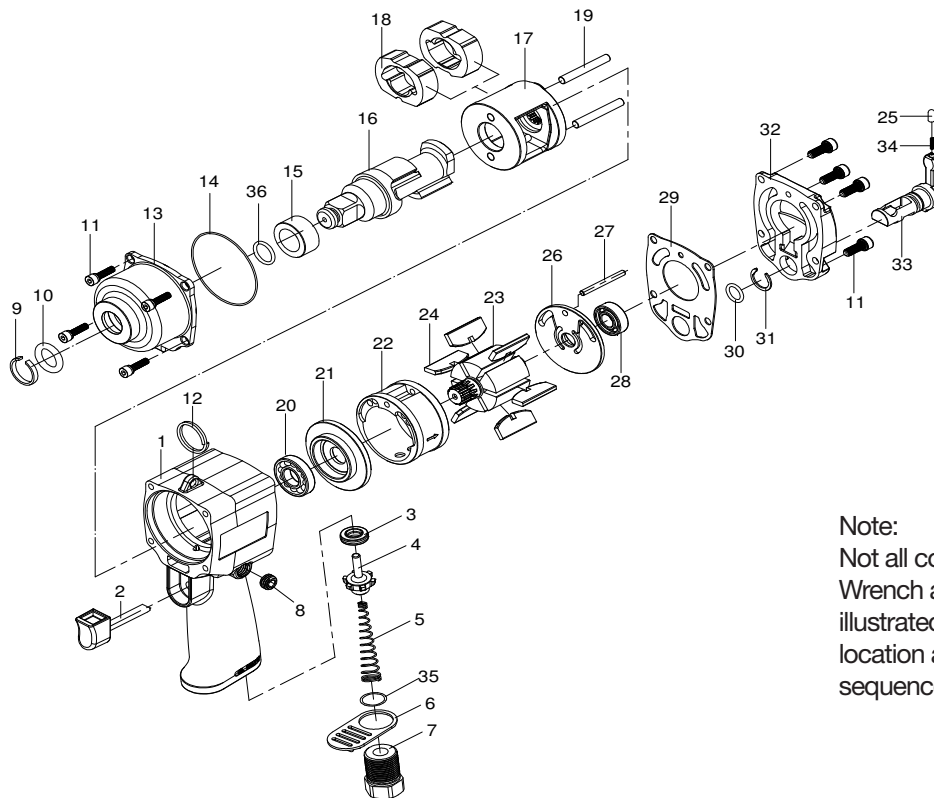
Problem	Cause	Remedies
Loss of power or erratic action.	a. Excessive drain on the air line. b. Moisture or restriction in the air pipe. c. Incorrect size or type of hose connectors.	Check the air supply and follow the Preparing Wrench for Use section of this manual.
Reduced performance.	Grit or gum deposits in the wrench.	If your model has an air strainer (located in the area of the air inlet), remove the strainer and clean it. Flush the wrench out with gum solvent oil or an equal mixture of SAE No 10 oil and paraffin. Allow to dry before use.



MIGHTY COMPACT 1/2" IMPACT WRENCH

Item #	Part Name	Quantity
24403-1	Housing	1
24403-2	Trigger	1
24403-3	Valve Seat	1
24403-4	Throttle Valve	1
24403-5	Valve Spring	1
24403-6	Exhaust Deflector	1
24403-7	Air Inlet Bushing	1
24403-8	Screw	1
24403-9	Socket Retainer	8
24403-10	O-Ring	1
24403-11	Cap Screw	1
24403-12	Flying Ring	1
24403-13	Housing	1
24403-14	O-Ring	1
24403-15	Bushing	1
24403-16	Anvil (1/2" DR)	1
24403-17	Hammer Cage	1
24403-18	Hammer Dog	2

Item #	Part Name	Quantity
24403-19	Hammer Pin	2
24403-20	Ball Bearing	1
24403-21	Front End Plate	1
24403-22	Cylinder	1
24403-23	Rotor	1
24403-24	Rotor Blade	6
24403-25	Locking Pin	1
24403-26	Rear End Plate	1
24403-27	Dowel Pin	1
24403-28	Ball Bearing	1
24403-29	Gasket	1
24403-30	O-Ring	1
24403-31	Retainer Ring	1
24403-32	End Cap	1
24403-33	Reverse Lever	1
24403-34	Spring	1
24403-35	O-Ring	1
24403-36	O-Ring	1



Note:
Not all components of the Impact Wrench are replacement items, but are illustrated as a convenient reference for location and position in the assembly sequence.

**MIGHTY COMPACT
1/2" IMPACT WRENCH****OEMTOOLS™ ONE YEAR WARRANTY**

If for up to one year from the date of purchase of this OEMTOOLS product you find any defect in material or workmanship, through normal usage, return it to the place of purchase, or to OEMTOOLS for repair or replacement at our discretion. In order to obtain this service send your tool and proof of purchase, transportation pre-paid, to OEMTOOLS Q.A. Dept, 3580 E. Raines Road #3, Memphis, TN 38118. We will not be responsible for lost or damaged goods during transportation, please insure your package. If our inspection verifies the defect, we will either repair or replace the product at our election, or we may elect to refund the purchase price if we cannot readily and quickly provide you with a replacement. We will return repaired products at our expense, but if we determine there is no defect, or that the defect resulted from causes not within the scope of our warranty, then you must bear the cost of returning the product.

OEMTOOLS does not provide warranty for products labeled other than OEM or OEMTOOLS. OEMTOOLS will not provide any warranty for products subjected to abnormal use. Abnormal use includes, but is not limited to, abuse, accident, alteration, neglect, and unauthorized or unreasonable use or repairs. This warranty does not cover bits, blades, files, batteries, or calibration. We recommend that you maintain your tools and sharpen or replace blades, bits, files, and batteries as necessary. OEMTOOLS reserves the right to make any changes in construction or design at any time without any obligation in incorporating such changes to tools or equipment previously sold.

OEMTOOLS makes every effort to assure that its products meet high quality and durability standards, and warrants to the original purchaser that this product is free from defects in materials and workmanship for the period of one year from the date of purchase. This warranty does not apply to damage due directly or indirectly to misuse, abuse, negligence or accidents, repairs or alterations outside our facilities, criminal activity, improper installation, normal wear and tear or to lack of maintenance.

We shall in no event be liable for death, injuries to persons or property, or for incidental, contingent, special or consequential damages arising from the use of our product. Some states do not allow the exclusion or limitation of incidental or consequential damages, so the above limitation of exclusion may not apply to you. THIS WARRANTY IS EXPRESSLY IN LIEU OF ALL OTHER WARRANTIES, EXPRESS OR IMPLIED, INCLUDING THE WARRANTIES OF MERCHANTABILITY AND FITNESS. This warranty gives you specific legal rights, and you may also have other rights, which vary from state to state.

**CONTACT US**

3580 E. Raines Road, Suite 3, Memphis, TN 38118

Tel: 1-866-458-2472

www.oem-tools.com