

Please read and save these instructions. Read through this owner's manual carefully before using product. Protect yourself and others by observing all safety information, warnings, and cautions. Failure to comply with instructions could result in personal injury and/or damage to product or property. Please retain instructions for future reference.



12,900 CFM VARIABLE SPEED EVAPORATIVE COOLER

FOR CUSTOMER SERVICE

Technical Question?

CALL 1-866-458-2472

customerservice@oem-tools.com

UNPACKING

After unpacking the unit, inspect carefully for any damage that may have occurred during transit. Check for loose, missing, or damaged parts. If any damage is observed, a shipping damage claim must be filed with the carrier. DO NOT use the OEMTOOLS™ 23973 12,900 CFM Variable Speed Evaporative Cooler if broken, bent, cracked or damaged parts (including labels) are noted. Any Evaporative Cooler that appears damaged in any way, operates abnormally or is missing parts should be removed from service immediately. If you suspect that the Evaporative Cooler was subjected to shock load (a load that was dropped suddenly, unexpectedly, etc.), immediately discontinue use until it has been checked by a factory authorized service center.



⚠ WARNING

The following safety information is provided as a guideline to help you operate your Evaporative Cooler under the safest possible conditions. Any tool or piece of equipment can be potentially dangerous to use when safety or safe handling instructions are not known or not followed. The following safety instructions are to provide the user with the information necessary for safe use and operation. Please read and retain these instructions for the continued safe use of your Evaporative Cooler. Failure to follow instructions listed below may result in serious injury. In addition, make sure that anyone who uses the equipment understands and follows these safety instructions as well.

Explanation of Safety Signal Words

⚠ WARNING: Indicates a potentially hazardous situation which, if not avoided, could result in death or serious injury.

⚠ CAUTION: Indicates a potentially hazardous situation which, if not avoided, may result in minor or moderate injury.

CAUTION: Used without the safety alert symbol indicates a potentially hazardous situation which, if not avoided, may result in property damage.

NOTES: Provide clarity and helpful information.

Thank you very much for choosing an OEMTOOLS™ Product!

For future reference, please register your new tool at www.oem-tools.com and complete the owner's record below:

Model: _____ **Purchase Date:** _____

Save the receipt, warranty and these instructions. It is important that you read the entire manual to become familiar with this product before you begin using it. This product is designed for certain applications only. OEMTOOLS™ cannot be responsible for issues arising from modification. We strongly recommend this product is not modified and/or used for any application other than that for which it was designed. If you have any questions relative to a particular application, DO NOT use the product until you have first contacted customer service to determine if it can or should be performed on the product.



12,900 CFM VARIABLE SPEED EVAPORATIVE COOLER



IMPORTANT INSTRUCTIONS AND SAFETY RULES

1. Know your product. Read this manual carefully. Learn the product's applications and limitations, as well as potential hazards specific to it.
2. Keep work area clean and well lit. Cluttered or dark work areas invite accidents.
3. Keep children away. All children should be kept away from the work area. Never let a child handle tools or equipment without strict adult supervision.
4. DO NOT operate this product if under the influence of alcohol or drugs. Read warning labels on prescriptions to determine if your judgment or reflexes are impaired while taking drugs. If there is any doubt, DO NOT attempt to operate.
5. Use safety equipment. Eye protection should be worn at all times when operating this tool. Use ANSI approved safety glasses. Everyday eyeglasses are NOT safety glasses. Dust mask, non-skid safety shoes, hard hat or hearing protection should be used in appropriate conditions.
6. Wear proper apparel. Loose clothing, gloves, neck-ties, rings, bracelets or other jewelry may present a potential hazard when operating this product. Keep all apparel clear of the product.
7. DO NOT overreach. Keep proper footing and balance at all times when operating this product.
8. Check for damage. Check equipment regularly. If part of the product is damaged, it should be carefully inspected to make sure that it can perform its intended function correctly. If in doubt, discontinue use of product.
9. Keep away from flammables. DO NOT attempt to operate this product near flammable materials or combustibles. Failure to comply may cause serious injury or death.
10. Store this product out of the reach of children and untrained persons. This product may be dangerous in the hands of untrained users.
11. Keep this product dry and clean.
12. Use only accessories that are recommended by the manufacturer for your model. Accessories that may be suitable for one product may become hazardous when used on another product.
13. Service must be performed only by qualified repair personnel. Service or maintenance performed by unqualified personnel could result in a risk of injury.
14. When servicing a product, use only identical replacement parts. Use of unauthorized parts or failure to follow maintenance instructions may create a risk of injury.
15. Maintain a safe working environment. Keep the work area well lit. Make sure there is adequate surrounding workspace. Keep the work area free of obstructions, grease, oil, trash, and other debris. Do not use this product in a damp or wet location.
16. Maintain labels and nameplates on this product. These carry important information. If unreadable or missing, contact OEMTOOLS™ for a replacement.
17. Keep this product dry, clean, and free from brake fluid, oil, and grease.
18. Avoid accidental fire. DO NOT smoke near this product.
19. The warnings, precautions, and instructions discussed in this manual cannot cover all possible conditions and situations that may occur. The operator must understand that common sense and caution are factors which cannot be built into this product, but must be supplied by the operator.
20. We believe the information contained herein to be reliable. However, general technical information is given by us without charge and the user shall employ such information at their own discretion and risk. We assume no responsibility for results or damages incurred from the use of such information in whole or in part.
21. The manufacturer declines any and all responsibility for property damage or injury if said damage is the result of unskillful handling by the operator or of failure to observe the basic safety rules set forth in the instruction manual.
22. The procedures documented in this manual are to serve as guidelines for the use of this equipment.
23. The use of this equipment is simple and straightforward if you follow the instructions. When operating this equipment, use common sense, and only use this equipment for its intended purpose.

PRODUCT DESCRIPTION

The OEMTOOLS™ 23973 12,900 CFM Variable Speed Evaporative Cooler is designed to efficiently cool workspaces. This Evaporative Cooler pulls hot surrounding air through wet cooling pads, where the air is cooled through the process of evaporation. The powerful 0.5 HP fan then pushes the cooled air at 12,900 CFM into the surrounding area—cooling spaces up to 3,100 ft².



12,900 CFM VARIABLE SPEED EVAPORATIVE COOLER

PRODUCT SPECIFICATIONS

Fan Power	0.5 HP
Inverter Power	1.5 HP
Input Voltage	110VAC, 1-Phase
Drive System	Direct
Blade Size	30"
Variable Speed	10 - 950 RPM
Sound Pressure Level	30 - 70 dB
Max Air Volume	12,900 CFM
Water Capacity	38.2 Gallons
Cooling Area	Up to 3,100 ft ²
Run Time	4 - 6 Hours
Dimensions	49.6" (L) x 28.3" (W) x 62.9" (H)
Dry Weight	198 Lbs.

CONTENTS

(1) Evaporative Cooler, (1) Instruction Manual

SPECIFIC SAFETY INSTRUCTIONS AND WARNINGS

▲ WARNING: Thoroughly read and understand the provided product manual before attempting to use this product.

- DO NOT touch the Evaporative Cooler when your hands are wet.
- DO NOT disassemble, repair or rebuild the Evaporative Cooler. Contact qualified personnel for any maintenance extending past the instruction provided by this manual.
- Unplug the Evaporative Cooler when it is not in use.
- Unplug the Evaporative Cooler before moving it or performing maintenance.
- DO NOT unplug the Evaporative Cooler by holding the cord. Unplug by holding the plug.
- DO NOT use the Evaporative Cooler when there is damage to the cord or plug.
- Avoid the use of extension cords when possible. If an extension cord must be used, ensure that the cord is UL listed and rated to 12 AWG (up to 50 ft). DO NOT use a single extension cord to operate more than one Evaporative Cooler. DO NOT plug the Evaporative Cooler into any other cord-connected device (power strip, surge protector, multiple outlet adapters, etc.).
- DO NOT use the Evaporative Cooler close to any fire or heat source.
- DO NOT insert your hand or other objects into the rear housing when the blade is moving.

- To reduce the risk of fire or electric shock, DO NOT use this Evaporative Cooler with any solid-state speed control device.
- DO NOT operate any Evaporative Cooler with a damaged cord or plug. Discard the Evaporative Cooler or return to an authorized service facility for examination and/or repair.
- DO NOT run cord under carpeting. DO NOT cover cord with throw rugs, runners, or similar coverings. DO NOT route cord under furniture or appliances. Arrange cord away from traffic area and where it will not be tripped over.
- DO NOT submerge the Evaporative Cooler in liquids.
- Confirm the rear panel is attached prior to operation.
- ALWAYS place the Evaporative Cooler on a flat, level surface.
- DO NOT expose electrical connections to water.
- DO NOT touch electrically live components.
- DO NOT open the electrical box while the product is in use.
- Ensure adequate ventilation.
- DO NOT cover the unit during operation.

PREPARING FOR OPERATION

IMPORTANT: Read and understand the provided safety instructions prior to operation.

- Before attempting to use, inspect the filter for dirt, dust or residues. Cooling pads that have accumulated build-up will impede cooling performance.
- To operate effectively, position the unit in front of an open door or window. Ensure the unit is placed on a flat, level surface at least 3 feet from any wall or obstruction.
- Open another door or window to provide proper ventilation for the unit.
- Connect one end of the Quick Connector Hose to a water source. Connect the other end to the Water Input of the Evaporative Cooler. Ensure both ends have been fully tightened to avoid leakage.

OPERATING INSTRUCTIONS

- Plug the unit into a grounded 110-120VAC outlet.
- Ensure that the Emergency Stop Button is extended.
- Open the water source to fill the Water Tank. Monitor water level using the Fill Gauge at the rear of the unit; allow the Water Tank to reach 50% capacity.

NOTE: This unit features a float valve and automatic shut-off function. This allows the unit to remain connected to an open water source for a continuous flow of water. The operator may also fill the Water Tank to capacity (or desired level) prior to running the unit, and then close the water source.



12,900 CFM VARIABLE SPEED EVAPORATIVE COOLER

▲ WARNING: Water Inlet pressure should not exceed 50 PSI. Higher pressure may lead to product failure and property damage.

OPTIONAL: For cooler air, ice cubes may be added to the Ice Cube Input located at the rear of the cooler.

4. Switch the Pump to ON. Allow to run for 2-3 minutes to saturate the Cooling Pads with water.
5. Switch the Fan to ON. Slowly increase the speed of the fan using the Fan Speed Dial.

SHUTDOWN INSTRUCTIONS

1. Close the water source.
2. After the Water Tank has emptied, switch the Pump to OFF.

NOTE: See Draining Instructions if the Water Tank is not empty.

3. At the end of each day of use, allow the fan to run for about 20 minutes to dry the Cooling Pads.
4. Slowly decrease the fan speed to 0 on the Fan Speed Dial.
5. Switch the Fan to OFF.
6. Unplug the Power Cord from the power source.

EMERGENCY STOP INSTRUCTIONS

IMPORTANT: If any malfunction or circumstance that alters the operating performance or safety of the Evaporative Cooler occurs, DEPRESS the Emergency Stop Button immediately. Unplug the Power Cord from the Power Source.

▲ WARNING: If this unit is operating abnormally in any way, DEPRESS the Emergency Stop Button immediately. Abnormal operation may manifest visibly, or as irregular noises or burning smells.

1. Once the fan has stopped, inspect the unit for any noticeable and overt causes of malfunction or failure.
2. DO NOT attempt maintenance or repair outside of cleaning practices described in the Product Maintenance section of this manual. Contact qualified personnel before attempting use.

DRAINING INSTRUCTIONS

1. It is recommended that the Water Tank be emptied at the end of each day of use.
 - a. Manual Drain
 - i. Open valve located at the bottom of the unit.

AND/OR

- b. Automatic Drain
 - i. Rotate the lever on the Automatic Drain Valve.
 - ii. Switch the Pump to ON.
 - iii. Switch the Pump to OFF once the water has been evacuated.
2. To optimize the draining process, use the Automatic Drain to drain the majority of the water. Once the water has been evacuated, open the Manual Drain to empty any excess water left at the bottom of the Water Tank.

STORAGE

Store the Evaporative Cooler in an upright position and in a clean, dry area. DO NOT store near flammable items or open flames.

PRODUCT MAINTENANCE

▲ WARNING: DO NOT use water to clean the Fan, Electrical Components or Control Panel.

▲ WARNING: Unplug this unit before performing product maintenance.

1. Dirt and debris will settle at the bottom of the Water Tank. To optimize performance, it is recommended that the Water Tank is cleaned monthly.
2. To maintain high air quality, it is recommended that the water is flushed from the Water Tank daily.
3. Ensure cooling pads are dry and clear of dirt/debris prior to storage.

DISPOSAL

At the end of the useful life of the OEMTOOLS™ 12,900 CFM Variable Speed Evaporative Cooler, dispose of the components in accordance with all federal, state and local regulations.



12,900 CFM VARIABLE SPEED EVAPORATIVE COOLER

TROUBLESHOOTING

PROBLEM	POSSIBLE CAUSE	COURSE OF ACTION
Unit does not start and power indicator light does not illuminate	Electricity is not supplied to unit	Check power supply and outlet - Reset breaker - Contact a qualified electrician
	Unit is experiencing motor or electrical failure	Contact customer service
Unit output is irregularly low or diminished	Cooling Pad is not fully saturated	Allow Pump to run for 2-3 minutes prior to starting the Fan
		Cooling Pad is not properly inserted, assess and correct
		Cooling Pad requires a break-in period for optimal absorption; this may take up to one week of use
	Water Tank is empty	Check hose connection and water source
	Pump is clogged or has malfunctioned	Contact customer service
Knocking/shaking sounds from fan or motor	Loose parts or fasteners	Tighten any visible loose fasteners on the exterior of the unit; contact customer service if sounds persist
Excessive water droplet output from fan	Cooling Pad is not properly inserted	Assess and correct placement
Musty odor present* †	Stagnant water in Water Tank	Drain water completely, clean the Water Tank and replace with fresh water
	Dirt, dust and debris are present on Cooling Pad	Gently wipe and clean Cooling Pad; contact customer service if smell persists

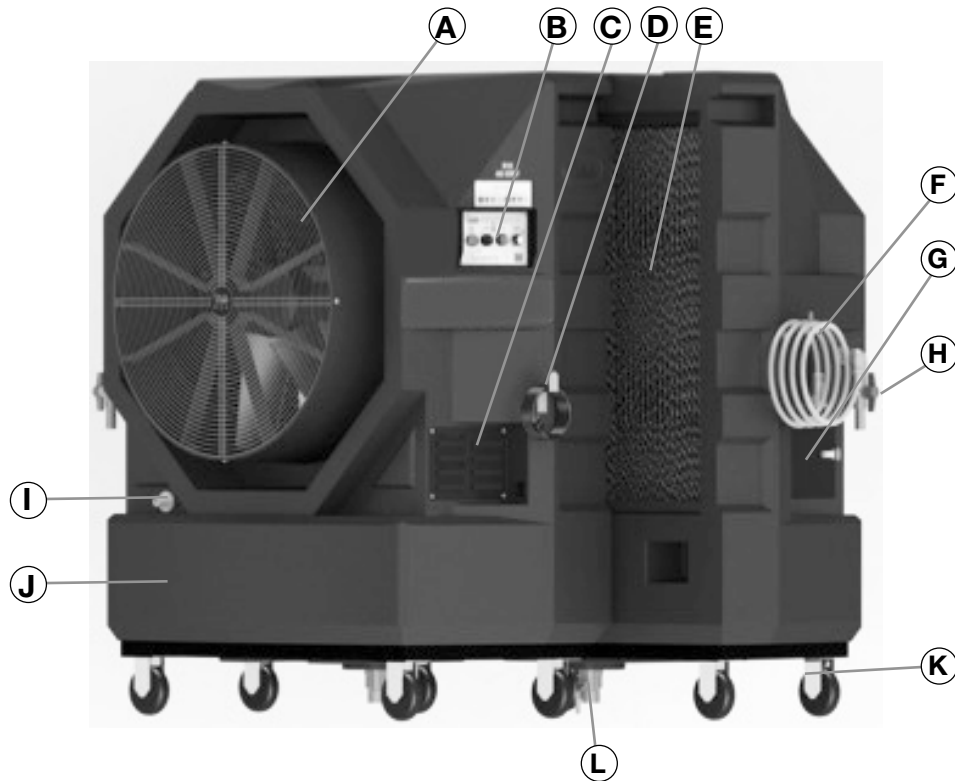
*If a burning smell is noticed, discontinue use and contact customer service before attempting to use.

† A slight, unpleasant odor may be noticed during the first few uses. This is normal and a result of manufacturing processes.



12,900 CFM VARIABLE SPEED EVAPORATIVE COOLER

PRODUCT LAYOUT



PARTS DESCRIPTION

Item	Description	Quantity
A	Fan	1
B	Control Panel	1
C	Electrical Components/Cover	1
D	Power Cord	1
E	Cooling Pads	1
F	Quick Connector Hose	1
G	Ice Cube Input	1
H	Automatic Water Drain	1
I	Water Input	1
J	Water Tank	1
K	Casters	4
L	Manual Water Drain	1
M	Fill Gauge*	1

*Not Depicted



12,900 CFM VARIABLE SPEED EVAPORATIVE COOLER

OEMTOOLS™ ONE YEAR WARRANTY

If for up to one year from the date of purchase of this OEMTOOLS™ product you find any defect in material or workmanship, through normal usage, return it to the place of purchase, or to OEMTOOLS™ for repair or replacement at our discretion. In order to obtain this service, send the product and proof of purchase, transportation pre-paid, to OEMTOOLS™ Q.A. Dept, 3580 E. Raines Road #3, Memphis, TN 38118. We will not be responsible for lost or damaged goods during transportation; please insure your package. If our inspection verifies the defect, we will either repair or replace the product at our election, or we may elect to refund the purchase price if we cannot readily and quickly provide you with a replacement. We will return repaired products at our expense, but if we determine there is no defect, or that the defect resulted from causes not within the scope of our warranty, then you must bear the cost of returning the product.

OEMTOOLS™ does not provide warranty for products labeled other than OEM or OEMTOOLS™. OEMTOOLS™ will not provide any warranty for products subjected to abnormal use. Abnormal use includes, but is not limited to, abuse, accident, alteration, neglect, and unauthorized or unreasonable use or repairs. This warranty does not cover bits, blades, files, batteries, or calibration. We recommend that you maintain your tools and sharpen or replace blades, bits, files, and batteries as necessary. OEMTOOLS™ reserves the right to make any changes in construction or design at any time without any obligation in incorporating such changes to tools or equipment previously sold.

OEMTOOLS™ makes every effort to ensure that its products meet high quality and durability standards, and warrants to the original purchaser that this product is free from defects in materials and workmanship for the period of one year from the date of purchase. This warranty does not apply to damage due directly or indirectly to misuse, abuse, negligence or accidents, repairs or alterations outside our facilities, criminal activity, improper installation, normal wear and tear or to lack of maintenance.

We shall in no event be liable for death, injuries to persons or property, or for incidental, contingent, special or consequential damages arising from the use of our product. Some states do not allow the exclusion or limitation of incidental or consequential damages, so the above limitation of exclusion may not apply to you. THIS WARRANTY IS EXPRESSLY IN LIEU OF ALL OTHER WARRANTIES, EXPRESS OR IMPLIED, INCLUDING THE WARRANTIES OF MERCHANTABILITY AND FITNESS. This warranty gives you specific legal rights, and you may also have other rights, which vary from state to state.

CONTACT US

3580 E. Raines Road, Suite 3, Memphis, TN 38118
Tel: 1-866-458-2472
www.oem-tools.com

